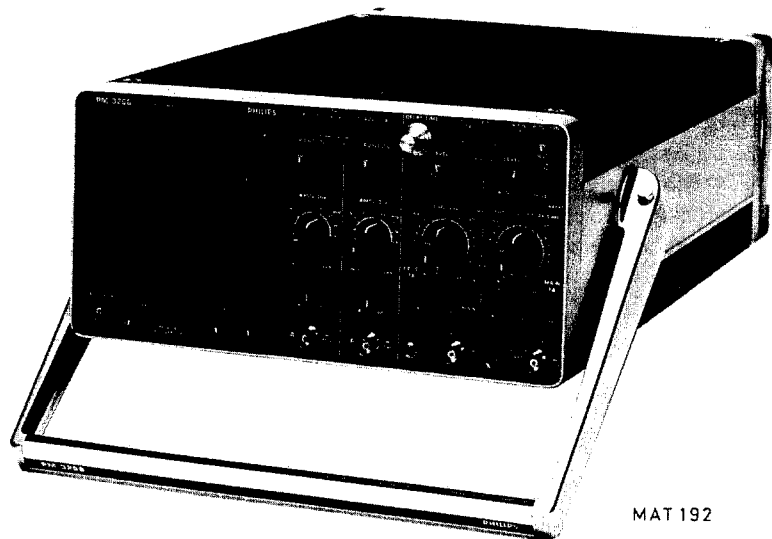


Portable Storage Oscilloscope PM3266

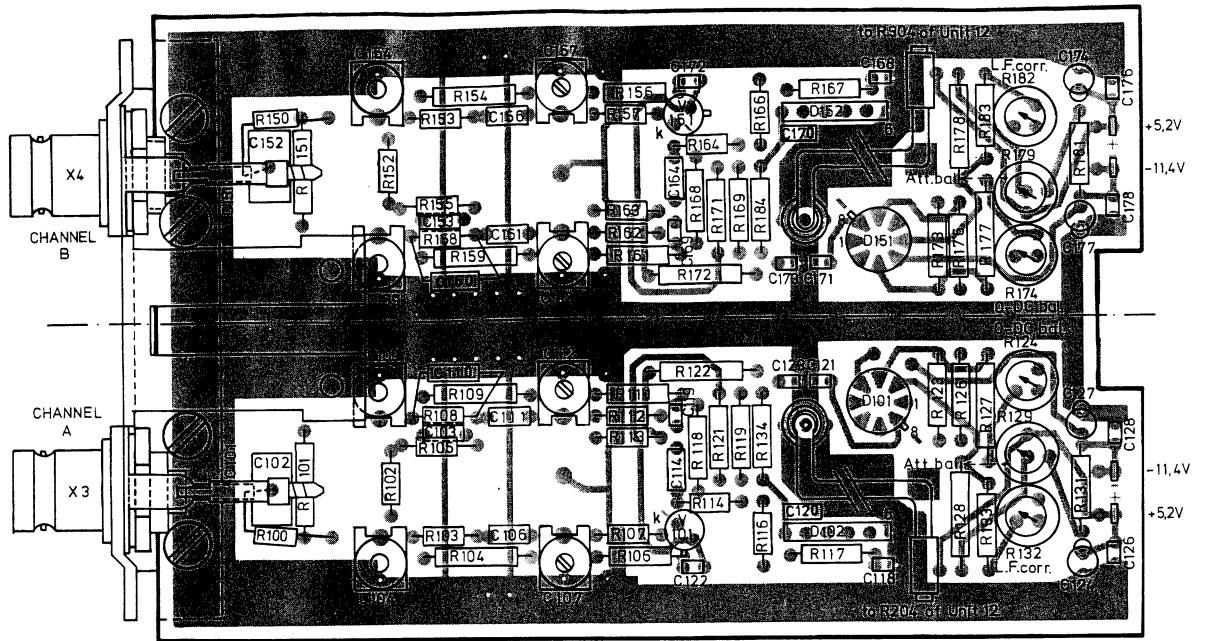
Instruction Manual/Gerätehandbuch/Notice d'emploi et d'entretien

9499 443 02302
811130/04/..



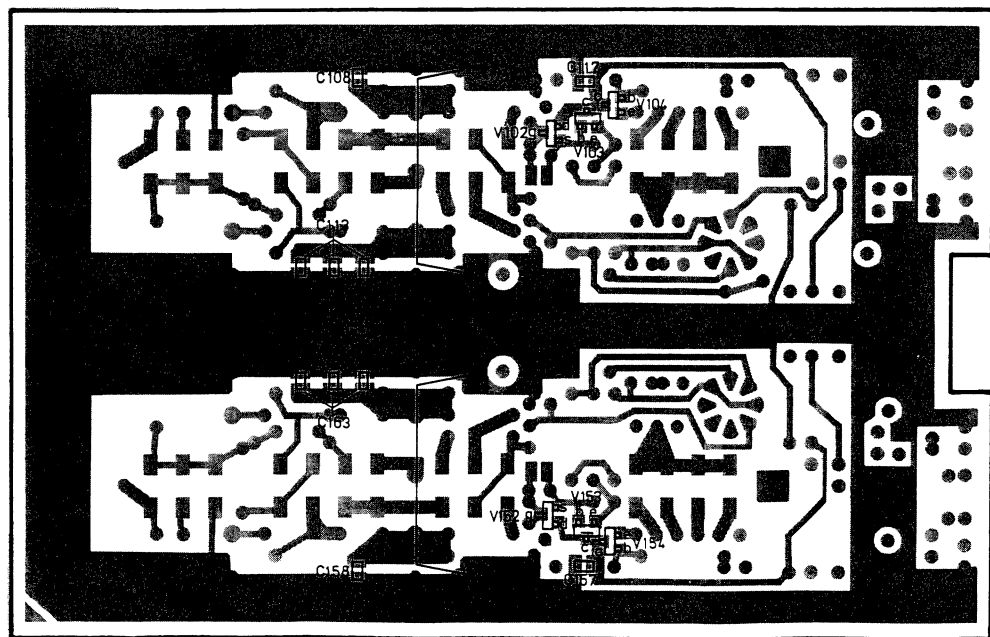
PHILIPS

12. CIRCUIT DIAGRAMS AND PRINTED CIRCUIT BOARD LAY-OUTS



MAT 47 A

Fig. 12.1. Vertical attenuator (Unit 2), component side lay-out



MAT 48 A

Fig. 12.2. Vertical attenuator (Unit 2), conductor lay-out

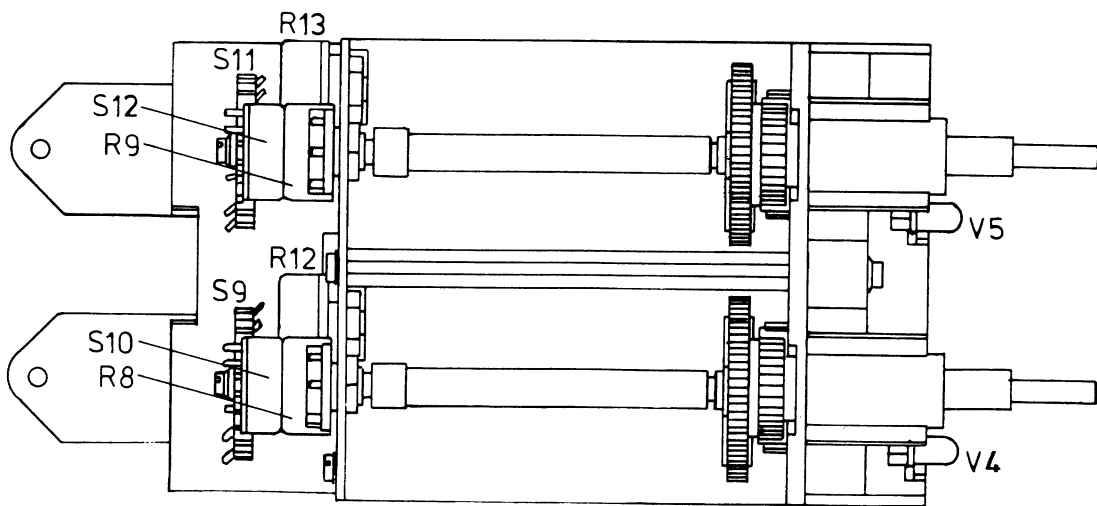
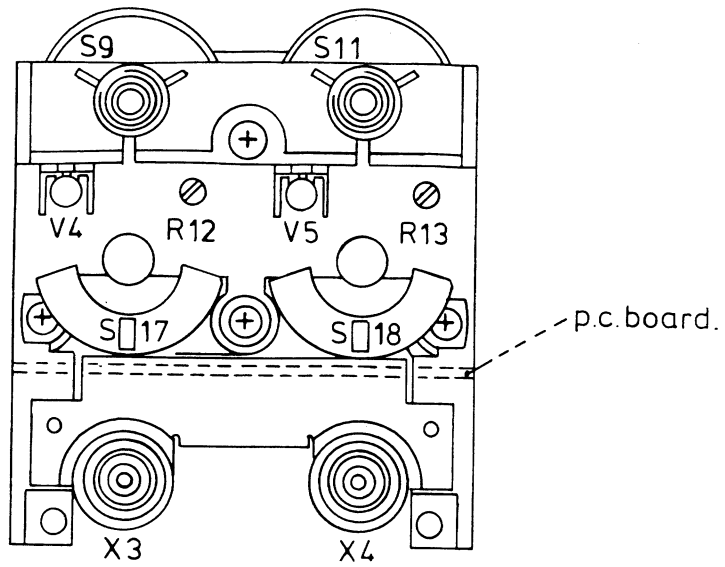


Fig. 12.3. Vertical attenuator (Unit 2), mechanical lay-out

MAT 49

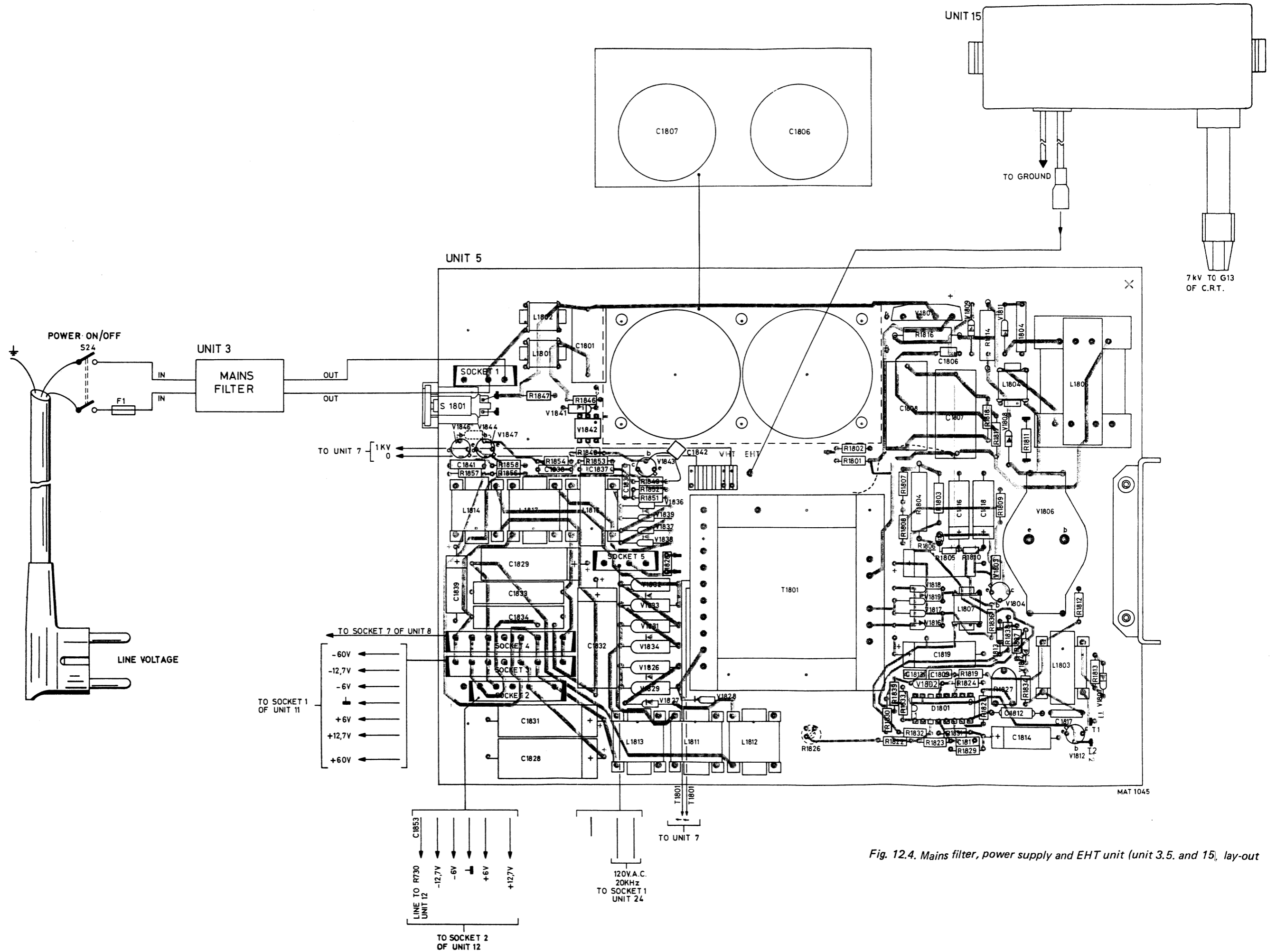


Fig. 12.4. Mains filter, power supply and EHT unit (unit 3.5. and 15), lay-out

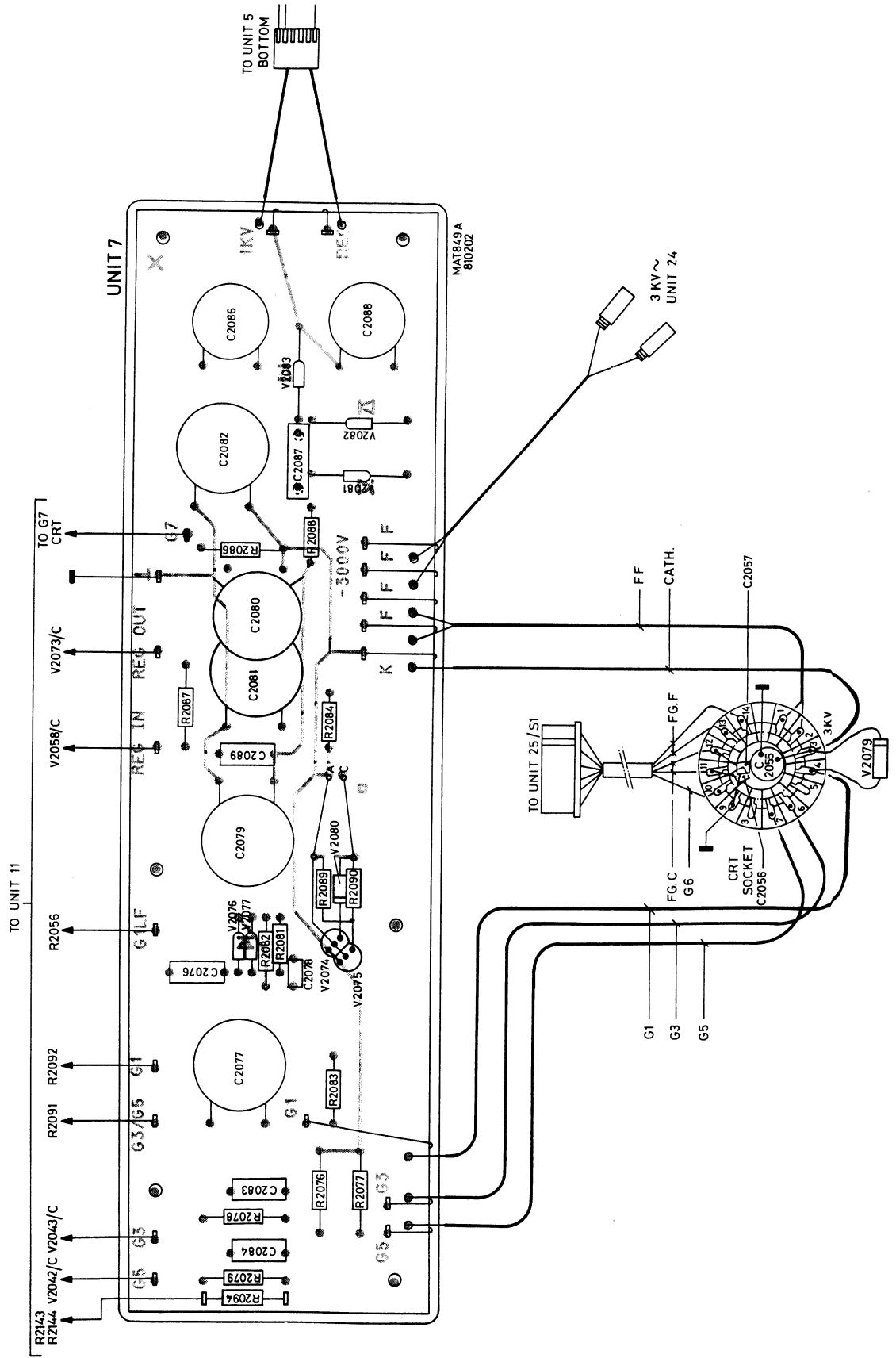


Fig. 12.5. Focus unit (unit 7, lay-out)

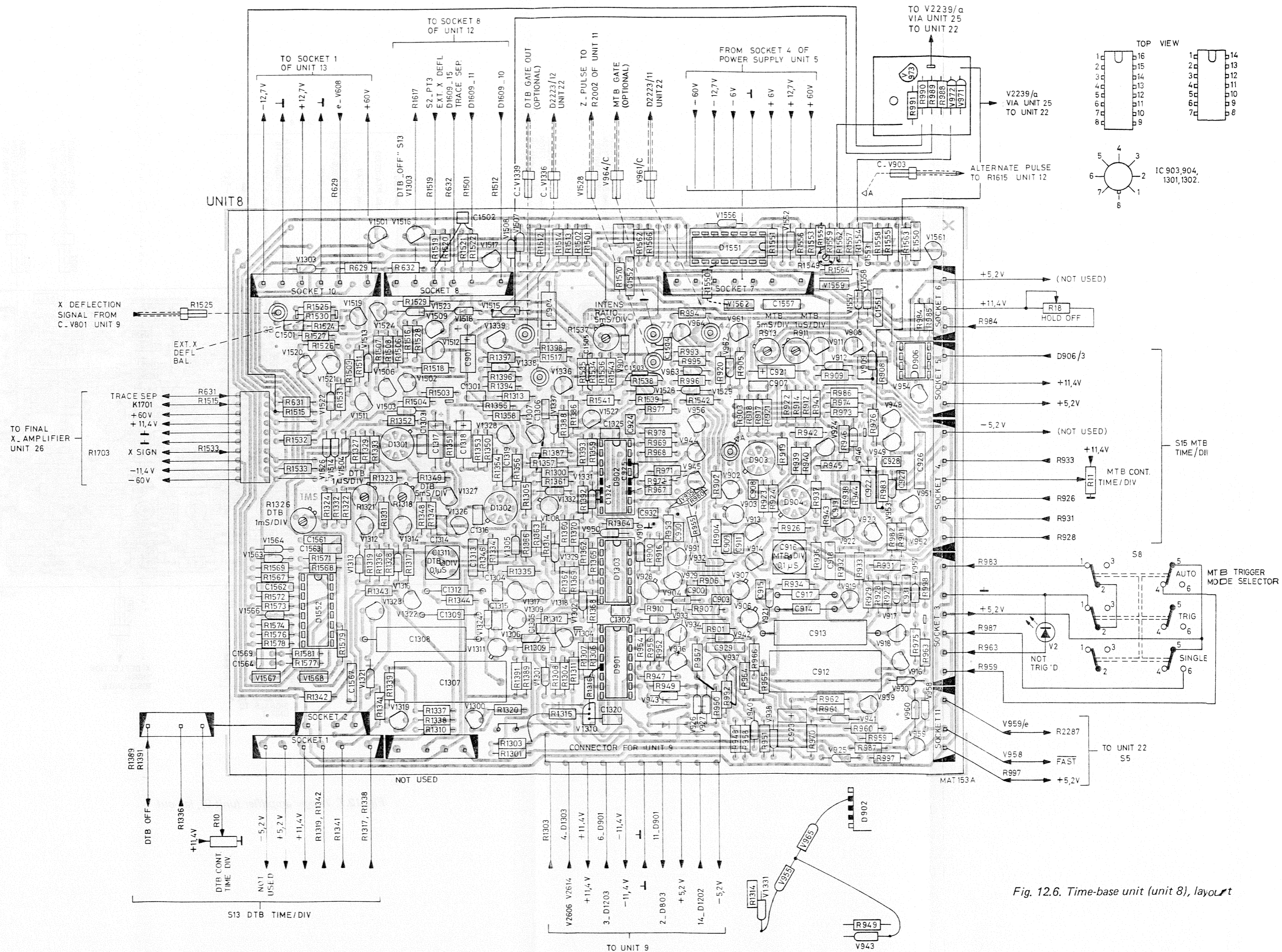


Fig. 12.6. Time-base unit (unit 8), layout

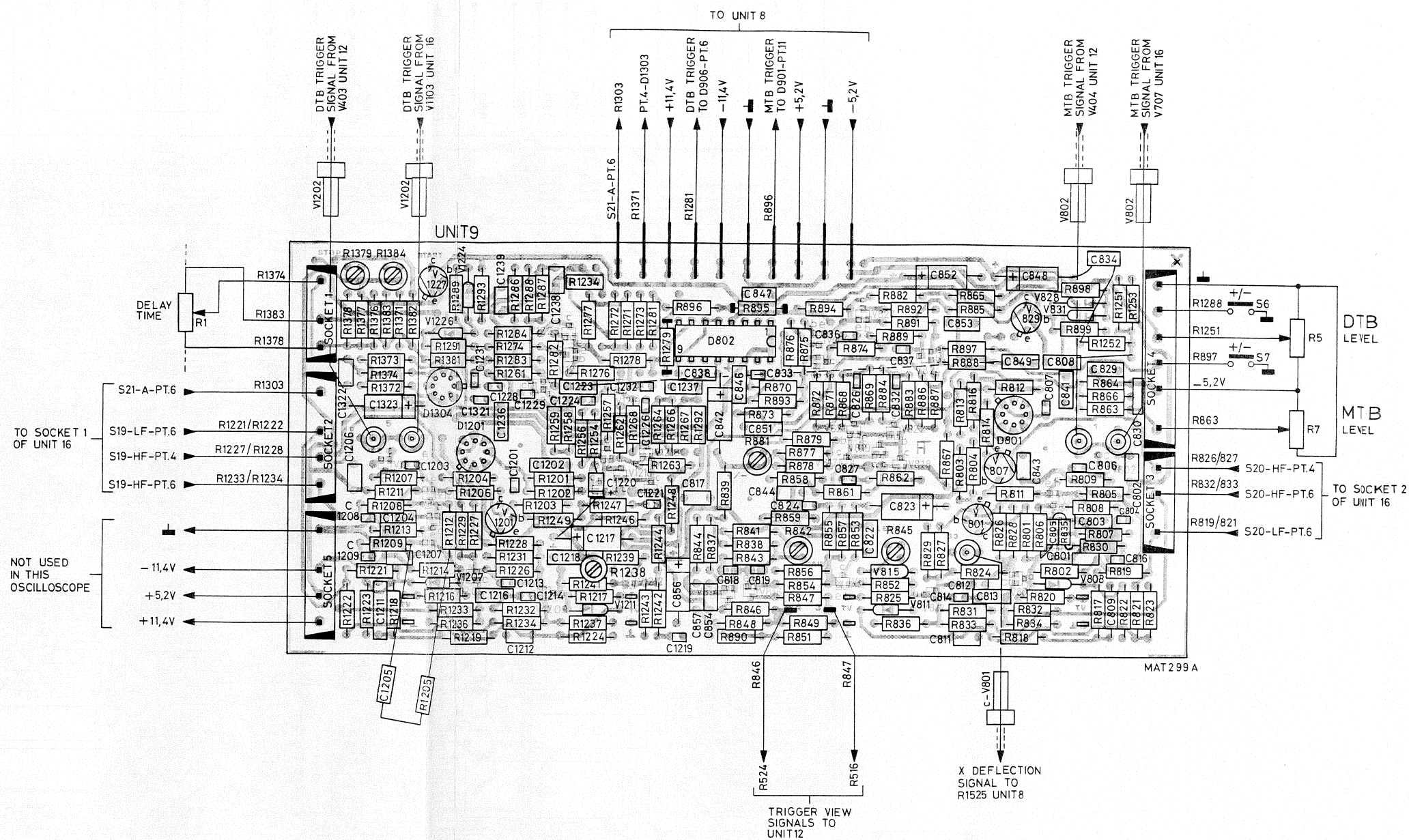


Fig. 12.7. Trigger amplifier (unit 9), lay-out

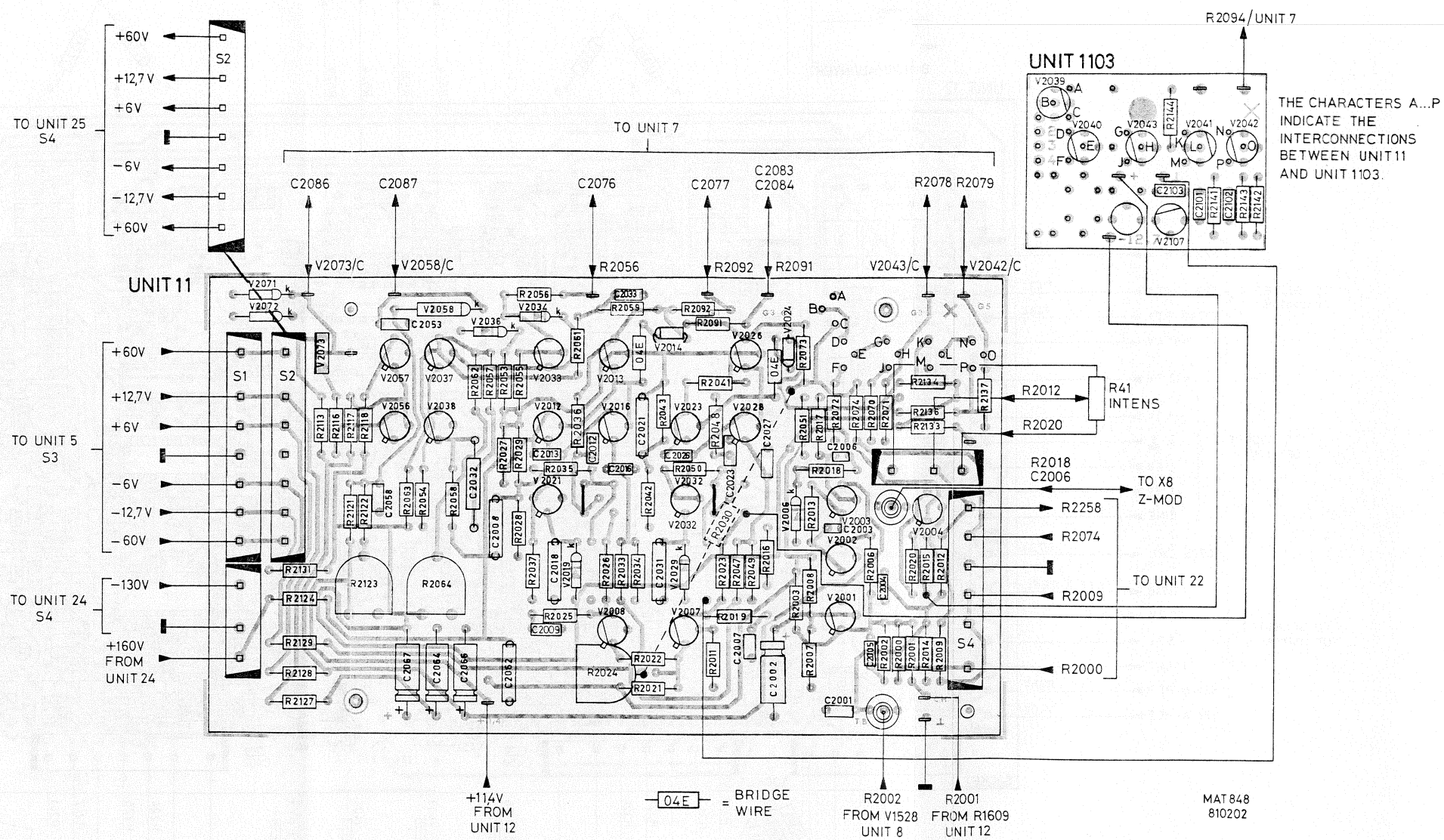


Fig. 12 8. Z-amplifier (unit 11), lay-out

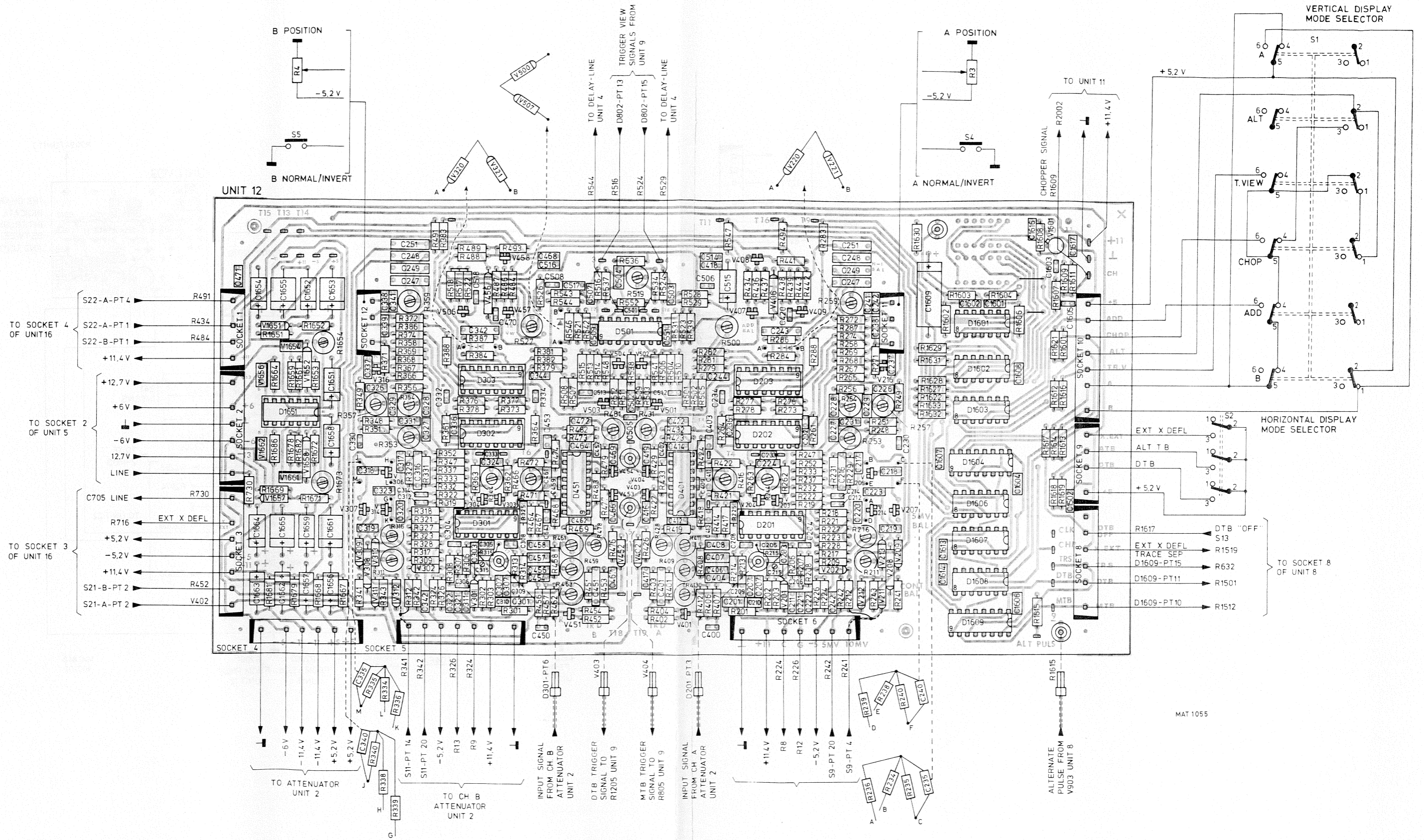


Fig. 12.9. Intermediate amplifier (unit 12), lay-out

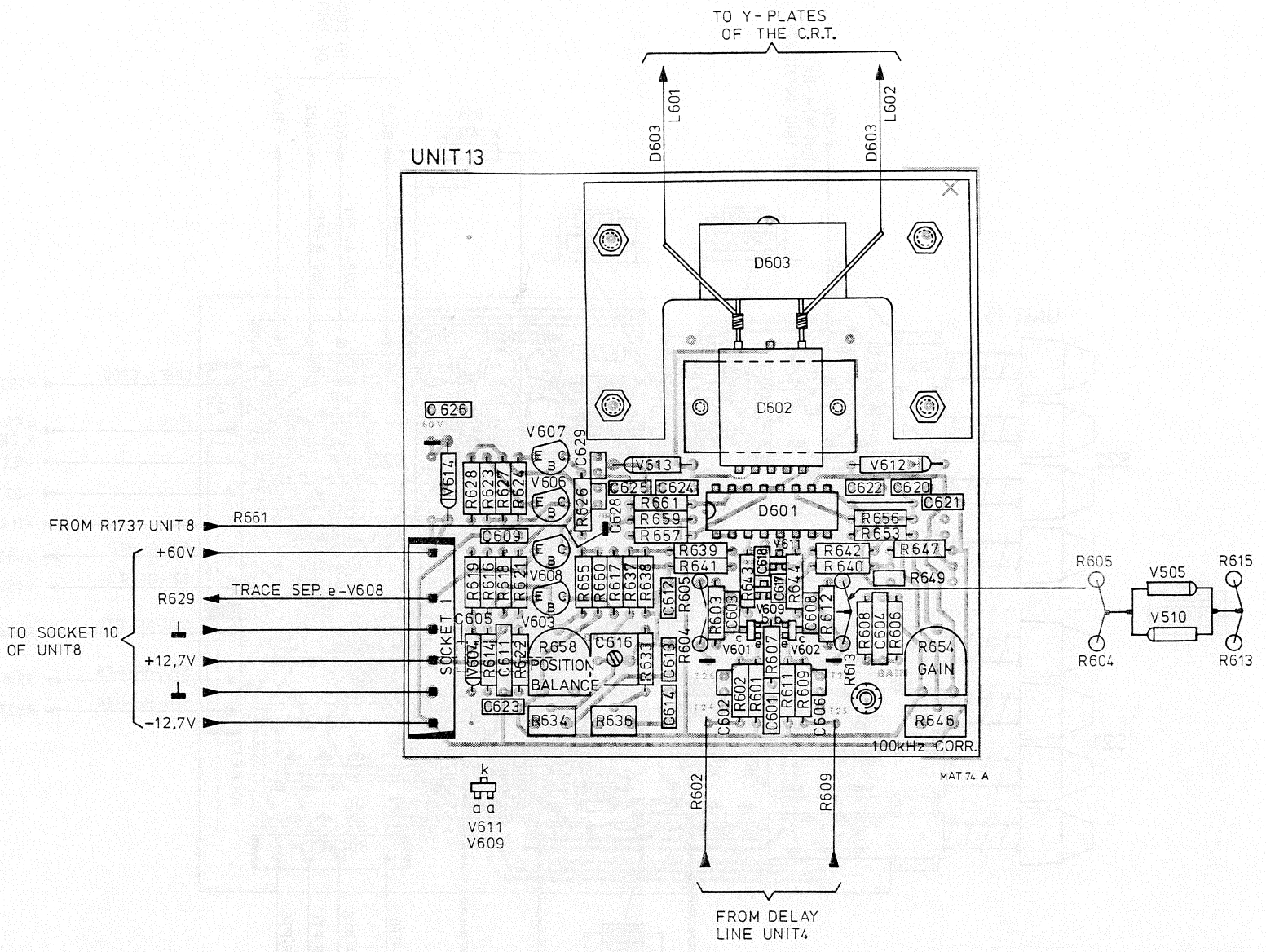


Fig. 12.10. Final Y-amplifier (unit 13), lay-out

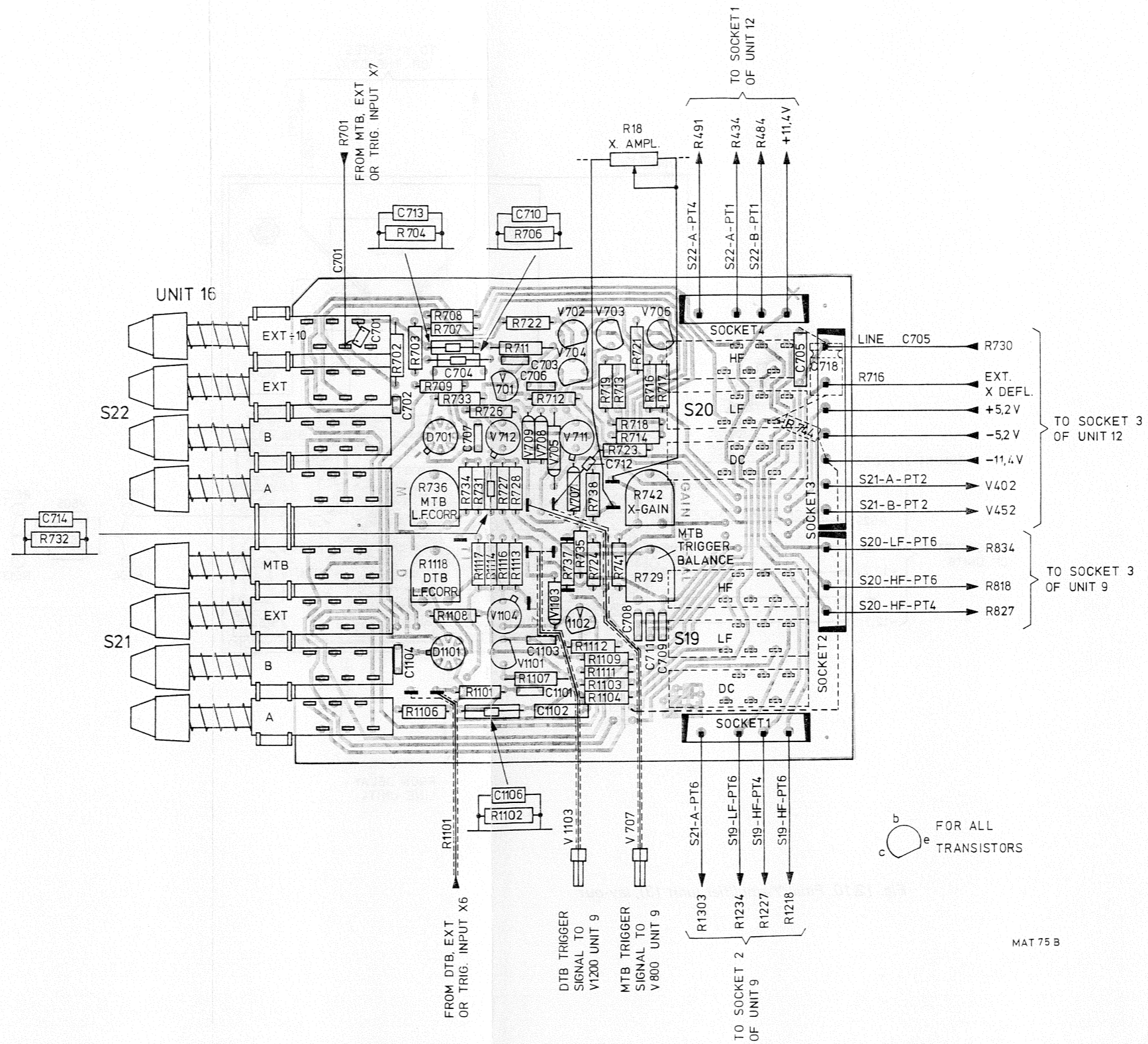


Fig. 12.11. Trigger source unit (unit 16), lay-out

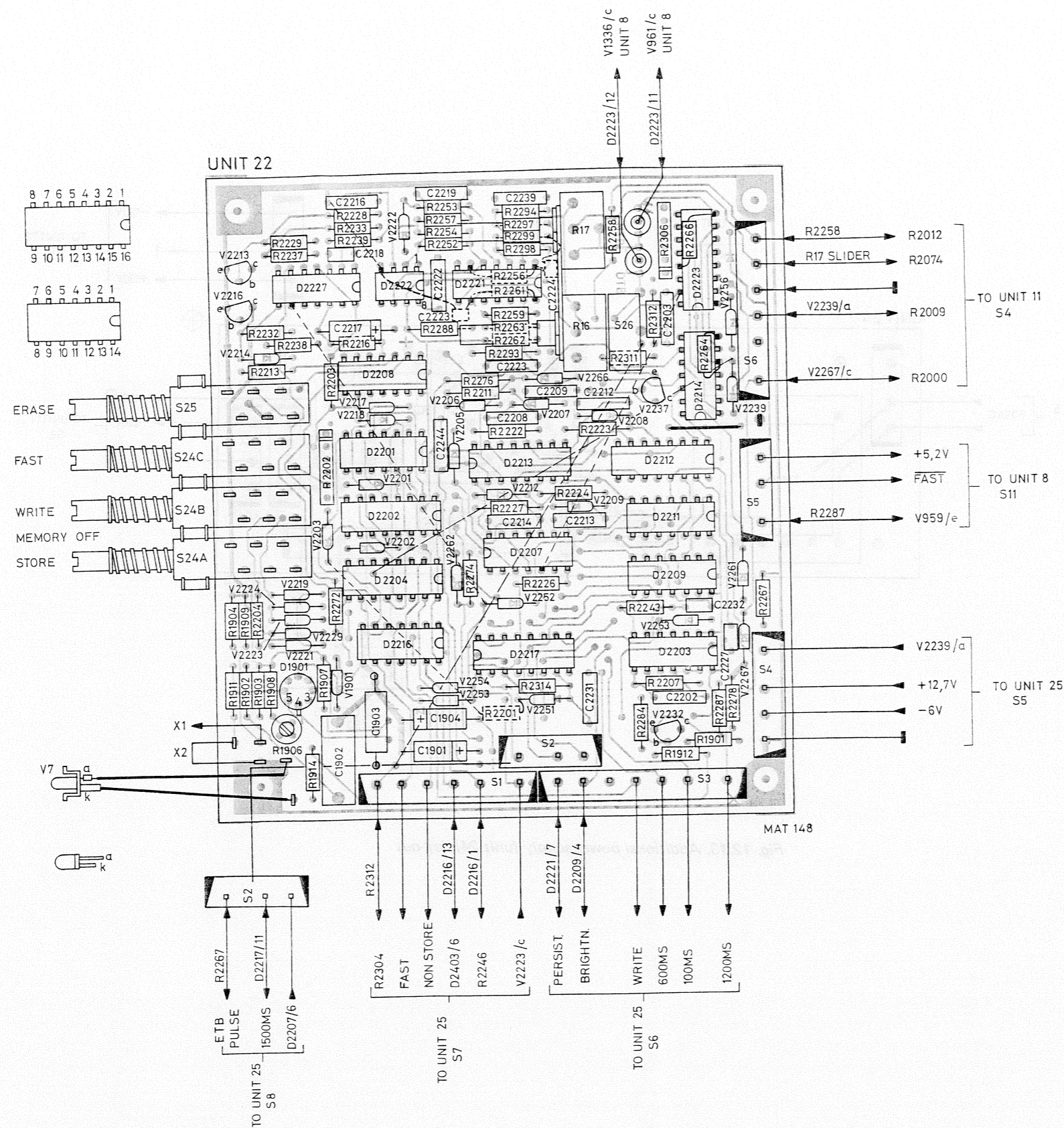


Fig. 12.12. Storage logic (unit 22), lay-out

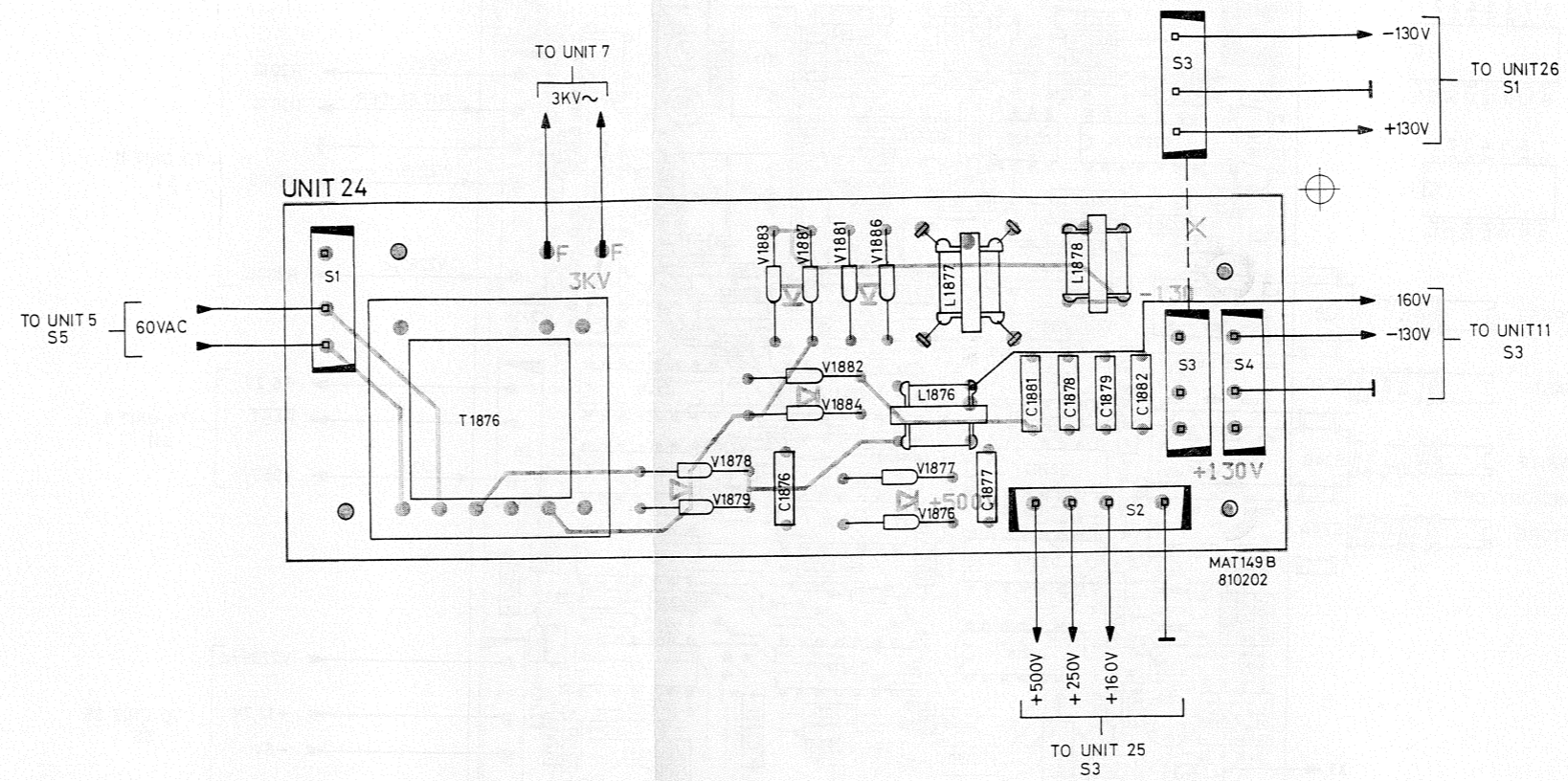


Fig. 12.13. Additional power supply (unit 24), lay-out

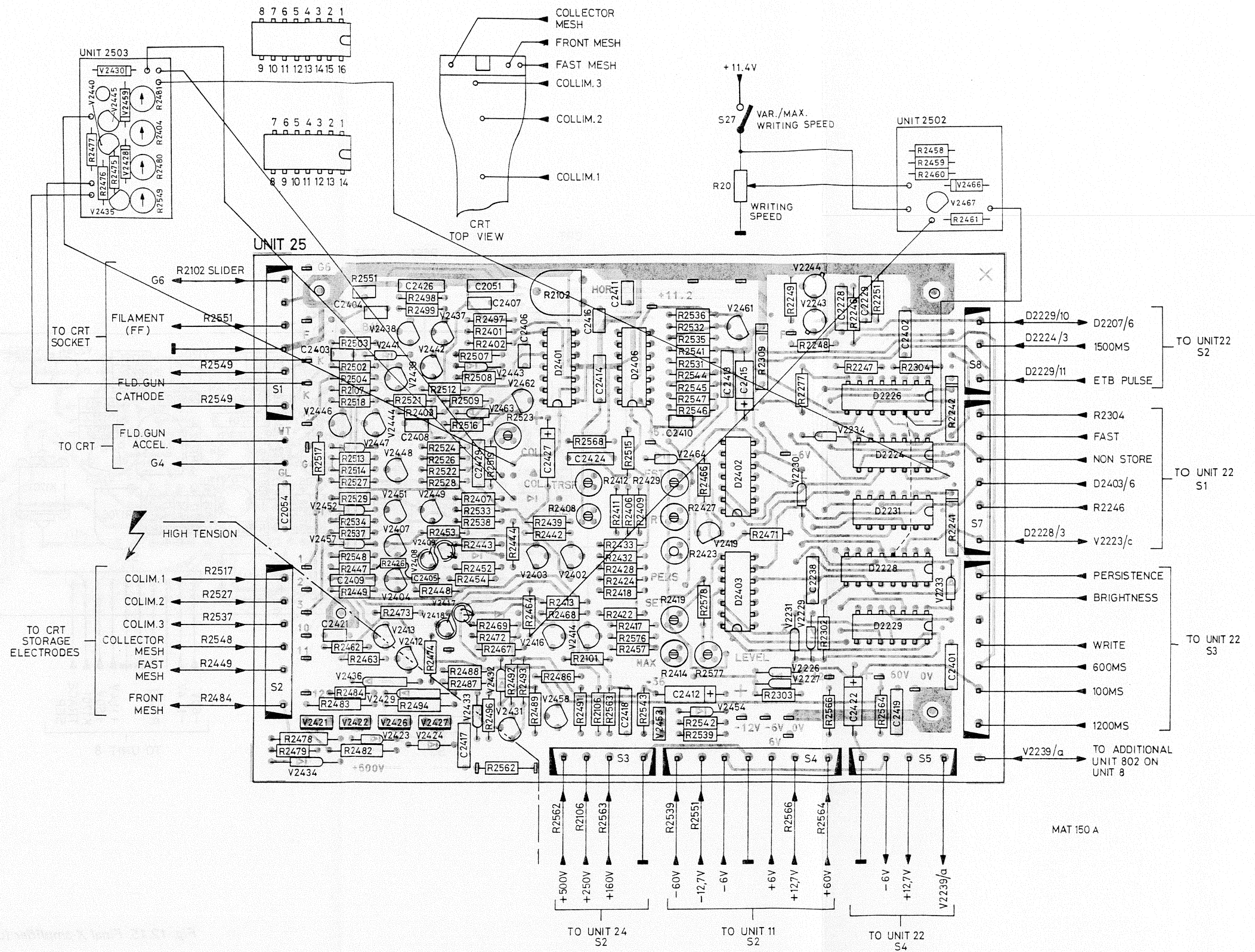


Fig. 12.14. Storage amplifier (unit 25), lay-out

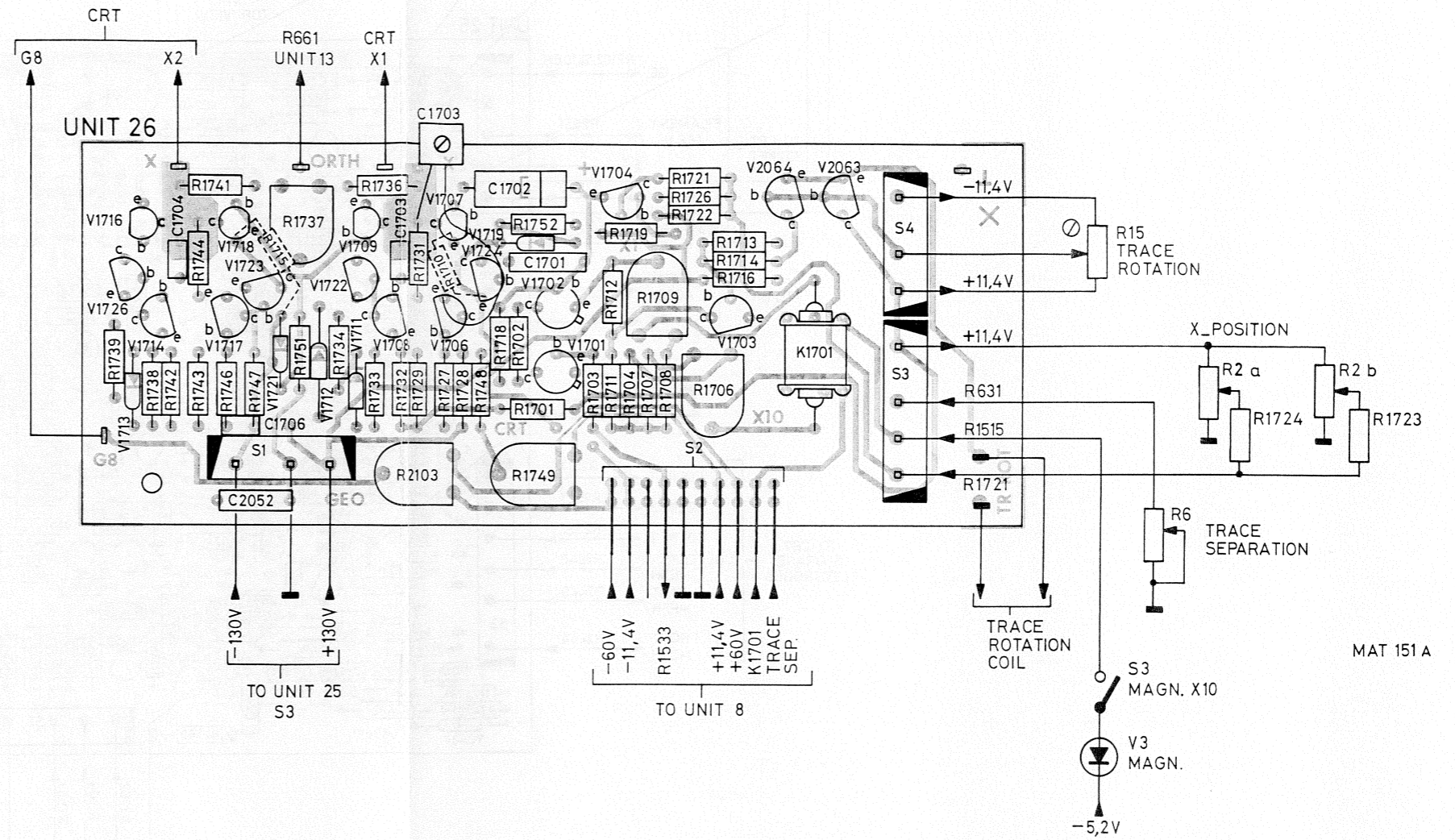
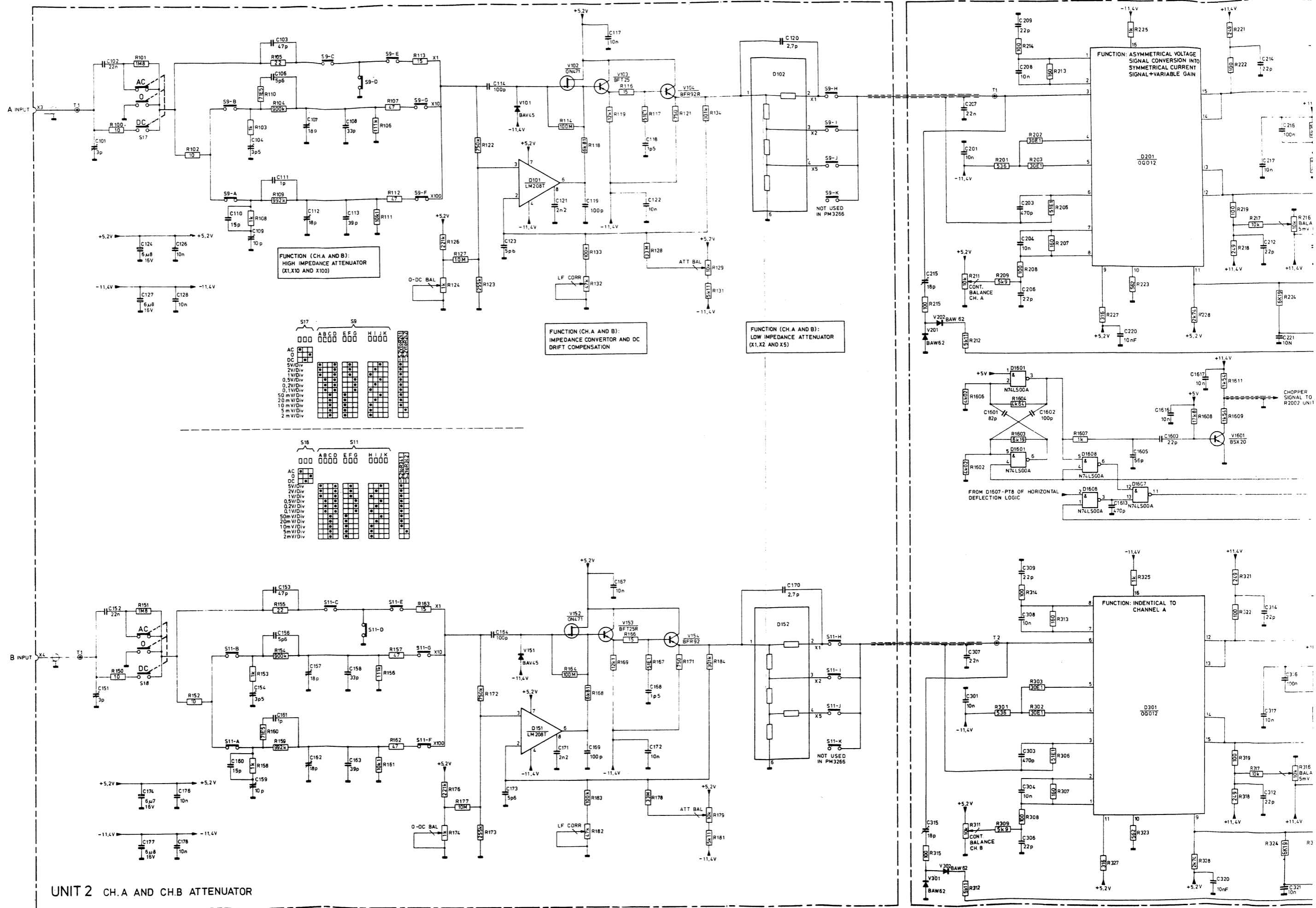
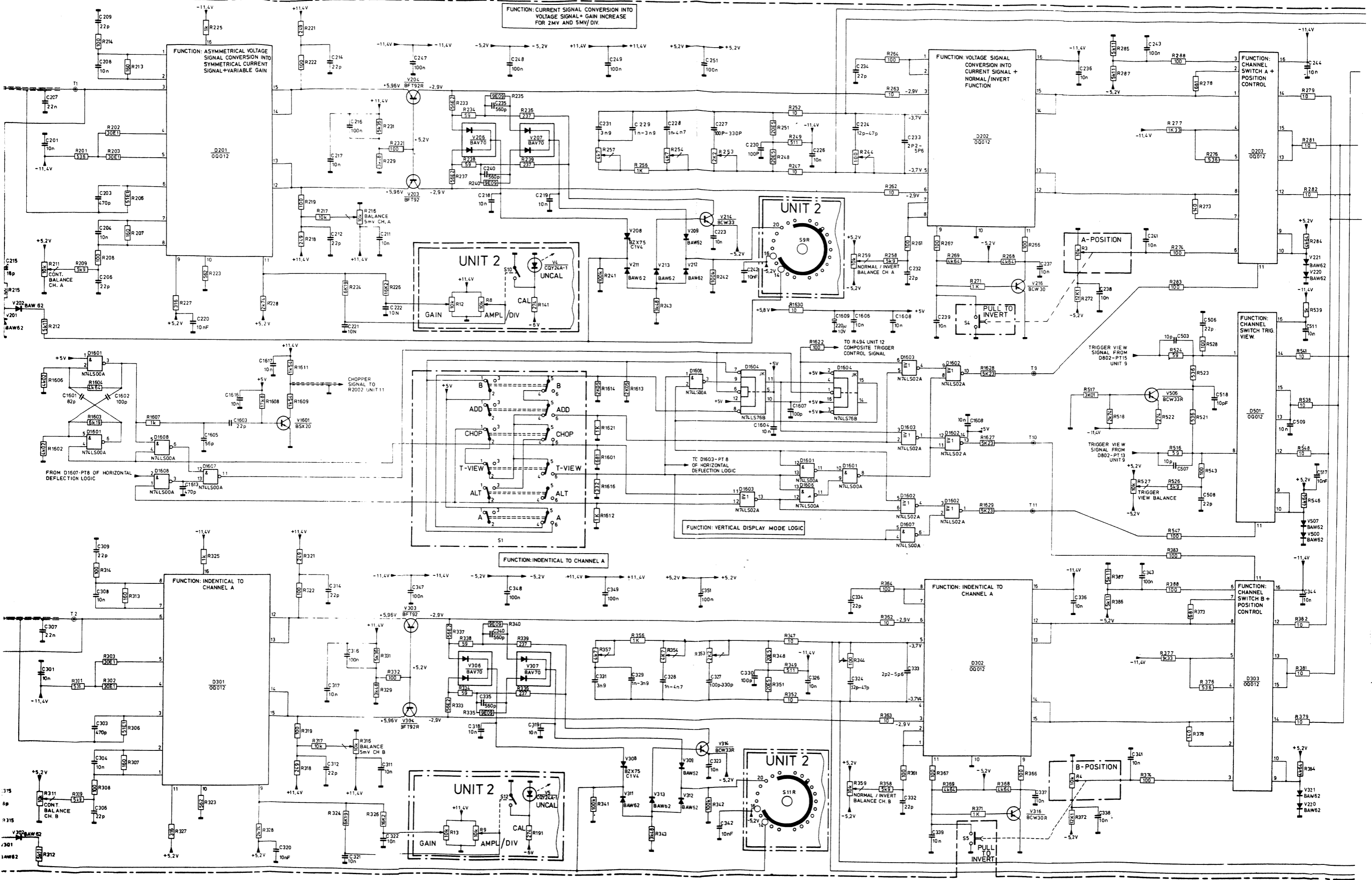


Fig. 12.15. Final X-amplifier (unit 26), lay-out



UNIT 2 CH.A AND CH.B ATTENUATOR



FUNCTION: CURRENT SIGNAL CONVERSION INTO VOLTAGE SIGNAL + GAIN INCREASE FOR 2MV AND 5MV/DIV.

FUNCTION: ASYMMETRICAL VOLTAGE SIGNAL CONVERSION INTO SYMMETRICAL CURRENT SIGNAL + VARIABLE GAIN

FUNCTION: VOLTAGE SIGNAL CONVERSION INTO CURRENT SIGNAL + NORMAL/INVERT FUNCTION

FUNCTION: CHANNEL SWITCH A + POSITION CONTROL

UNIT 2
GAIN AMPL/DIV

UNIT 2

FUNCTION: IDENTICAL TO CHANNEL A

FUNCTION: IDENTICAL TO CHANNEL A

FUNCTION: CHANNEL SWITCH B + POSITION CONTROL

UNIT 2
GAIN AMPL/DIV

UNIT 2

FUNCTION: VERTICAL DISPLAY MODE LOGIC

TO R494 UNIT 12 COMPOSITE TRIGGER CONTROL SIGNAL

TRIGGER VIEW SIGNAL FROM D802-PT 15 UNIT 9

TRIGGER VIEW SIGNAL FROM D802-PT 13 UNIT 9

TRIGGER VIEW BALANCE

CHOPPER SIGNAL TO R2002 UNIT 11

FROM D1607-PT 8 OF HORIZONTAL DEFLECTION LOGIC

CONT. BALANCE CH. B

CONT. BALANCE CH. A

PULL TO INVERT

PULL TO INVERT

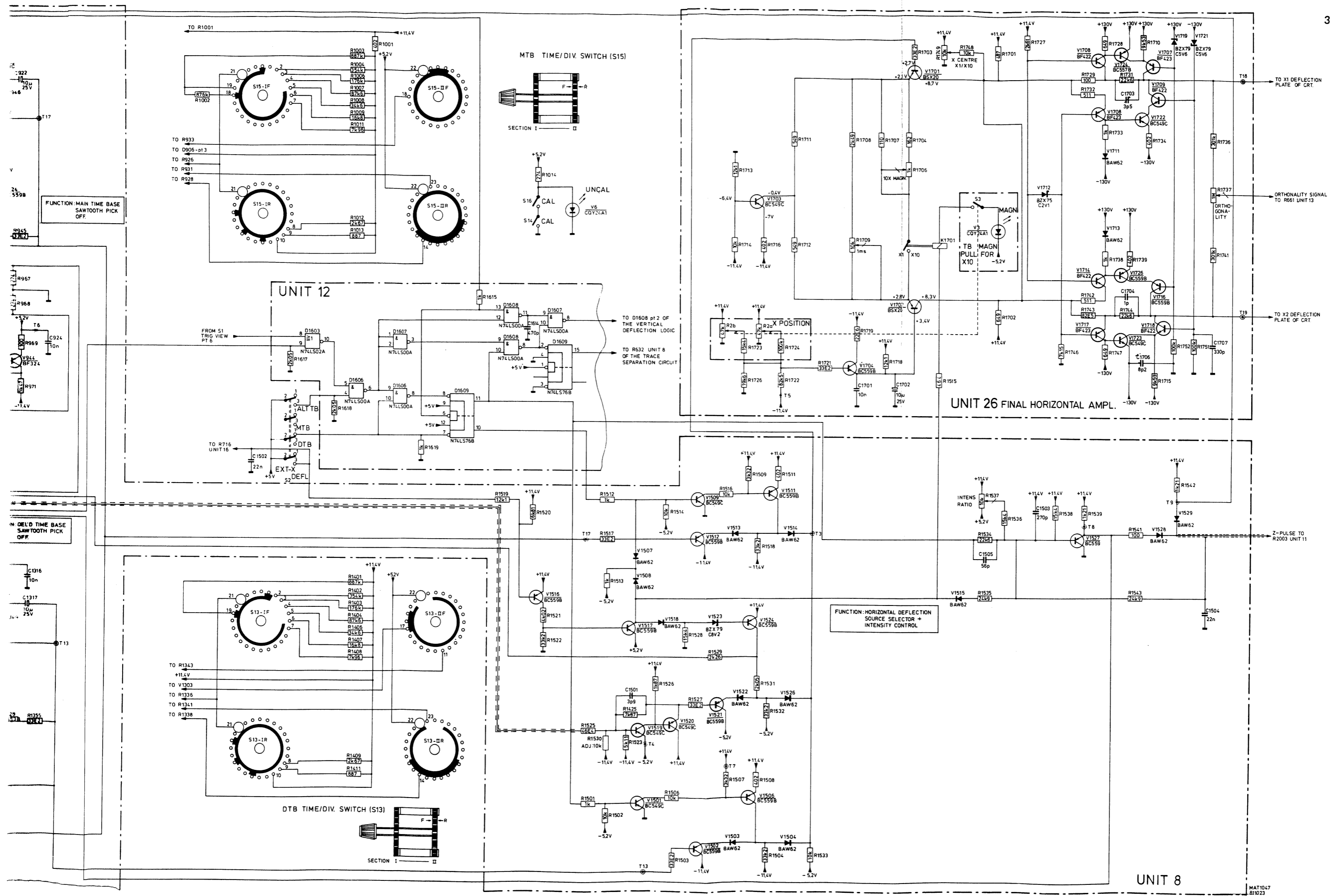
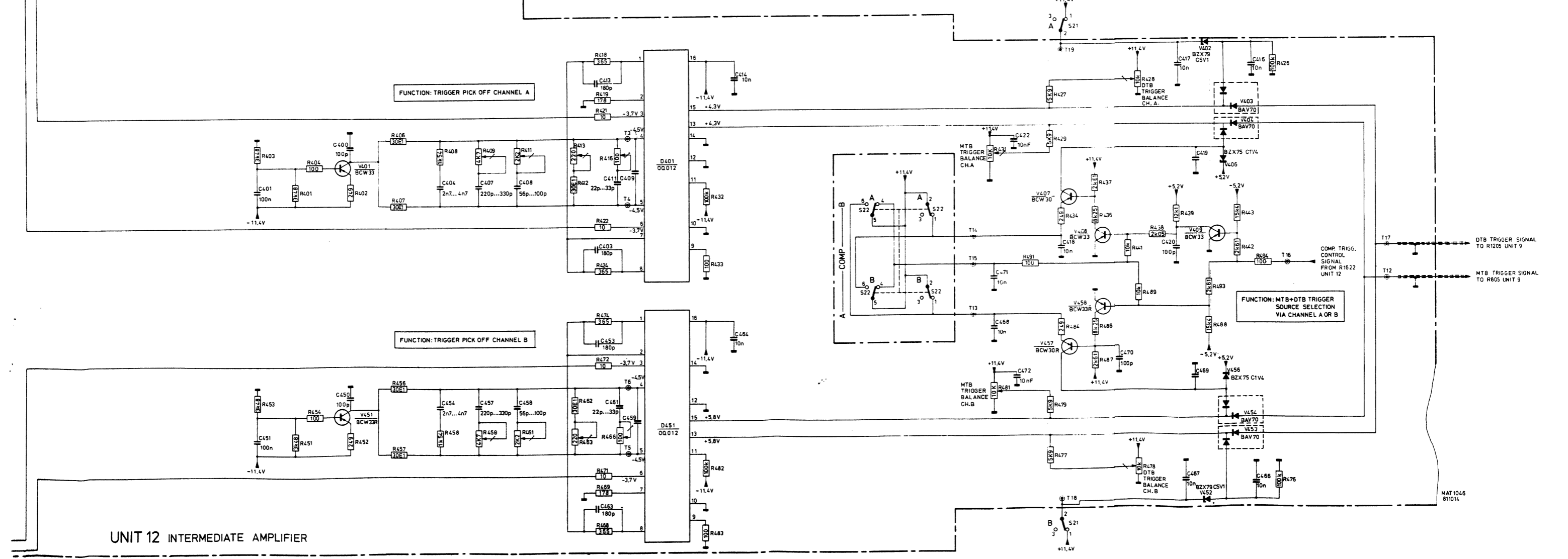
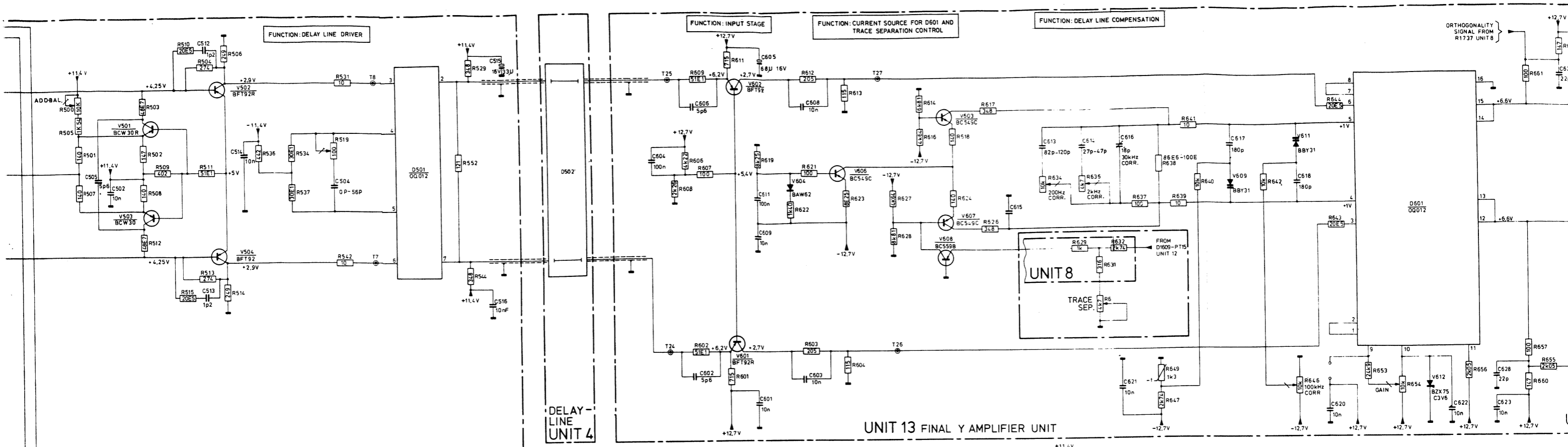


Fig. 12.18. Horizontal deflection, circuit diagram

MAT1047
815023



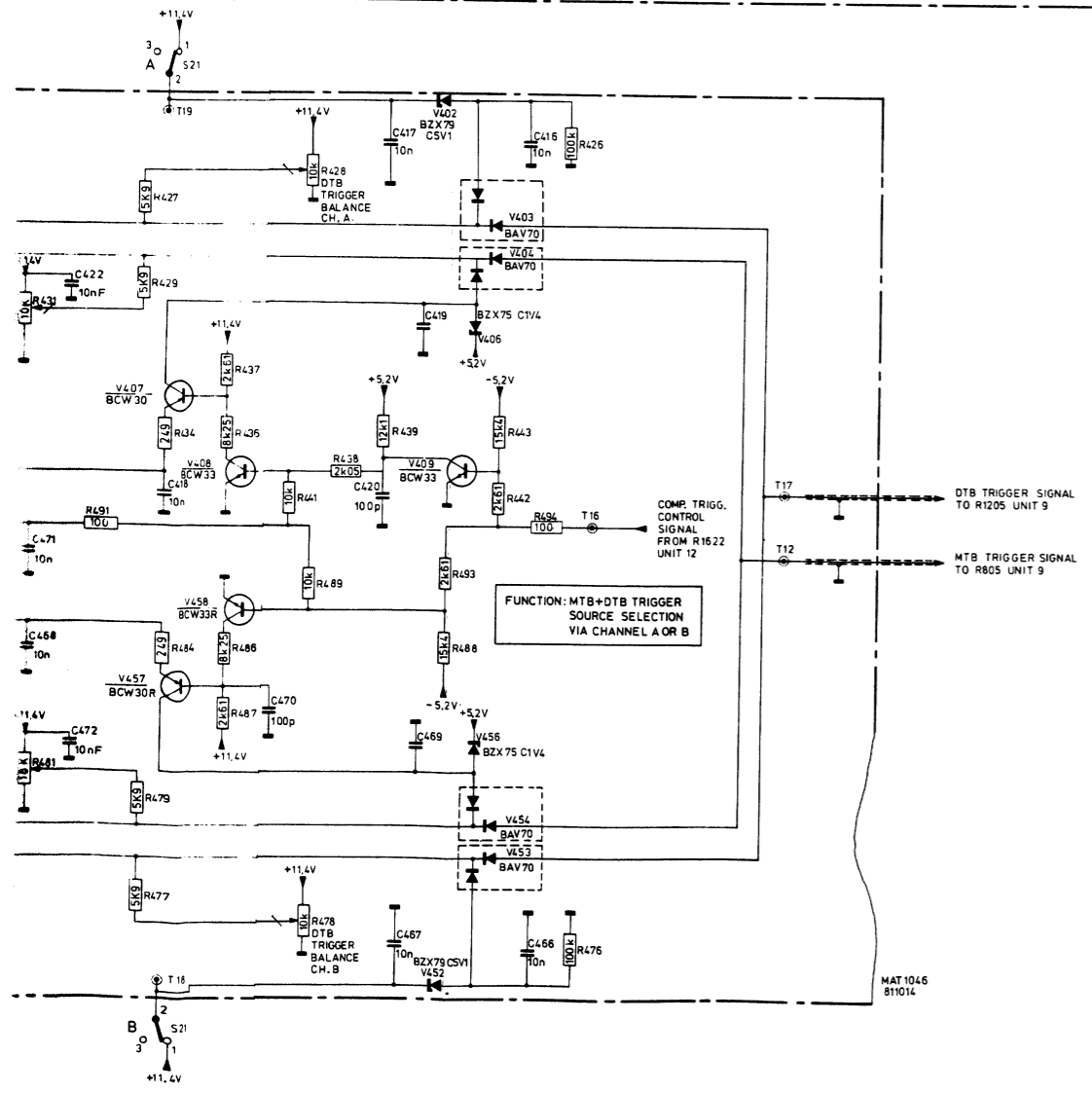
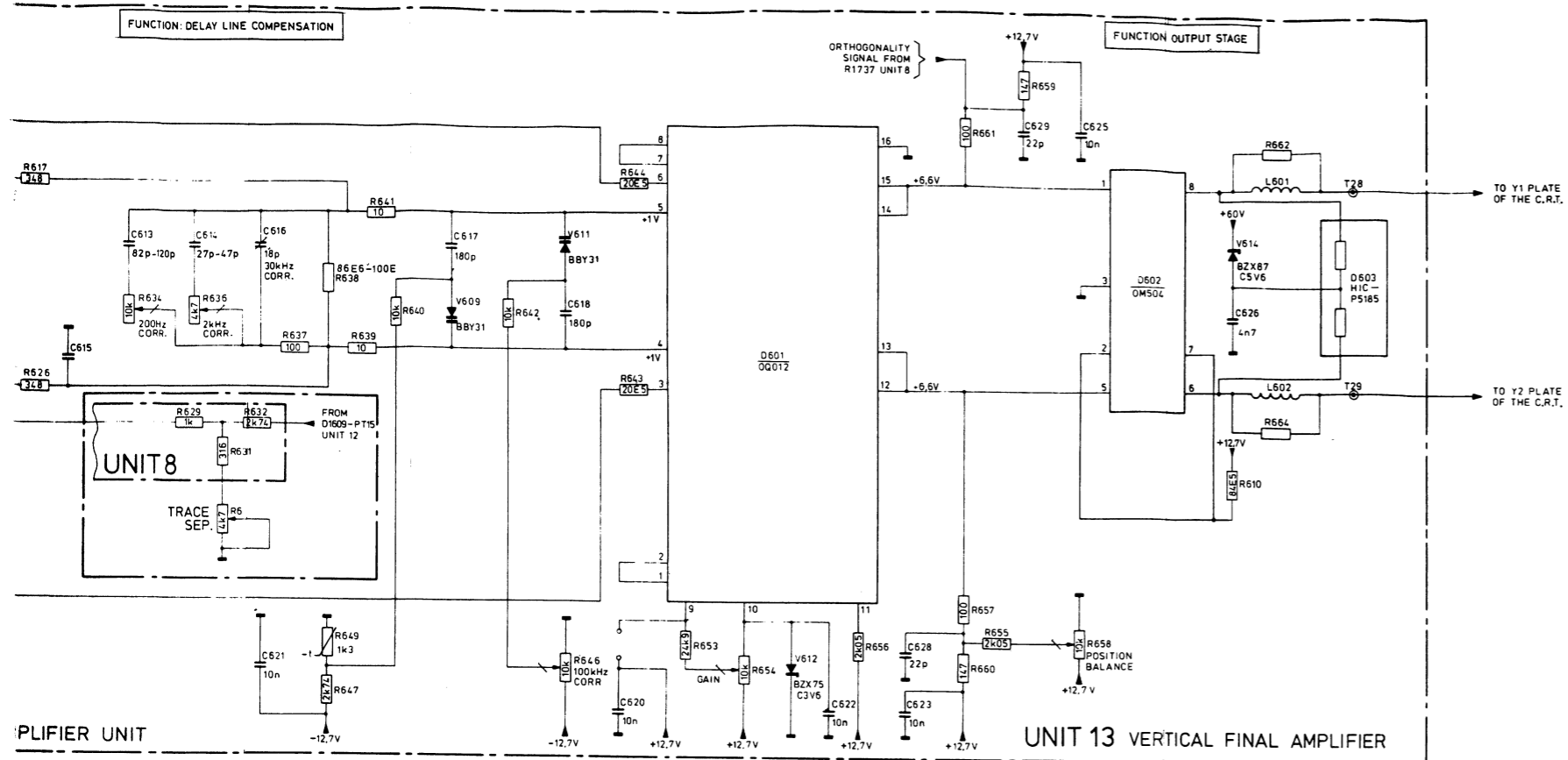
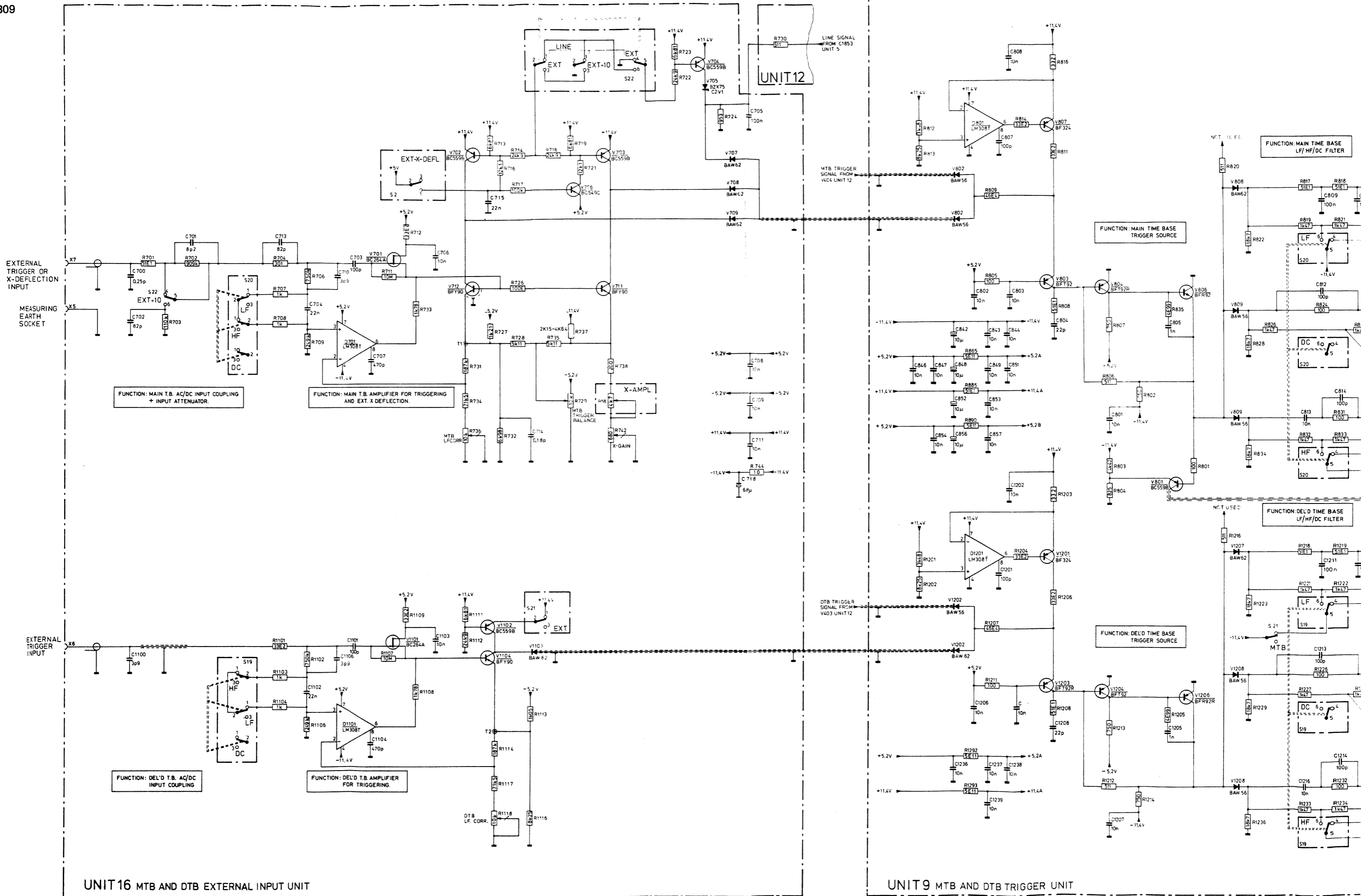


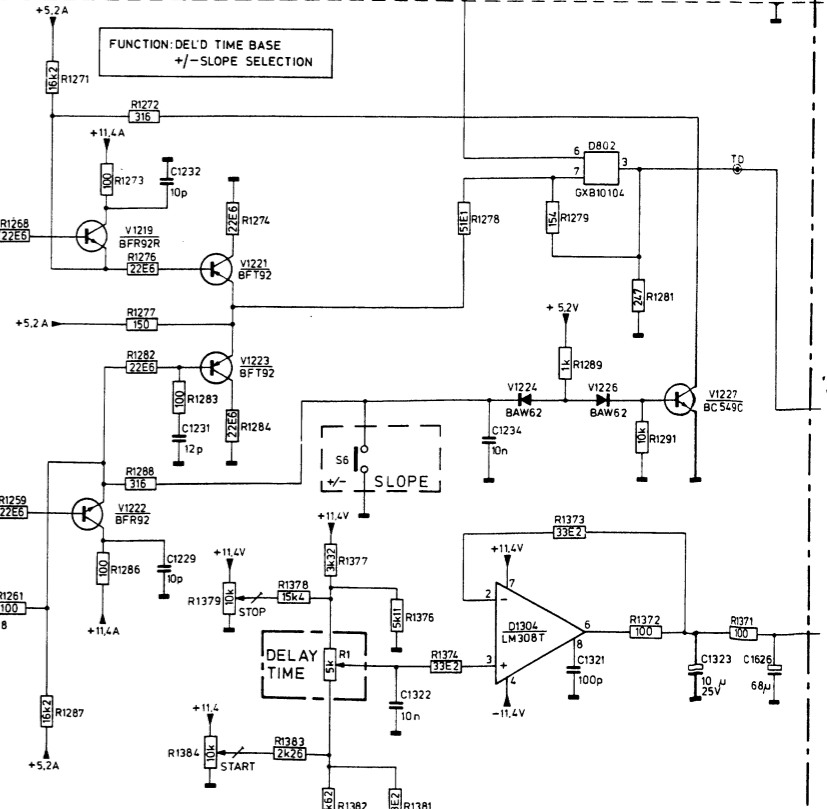
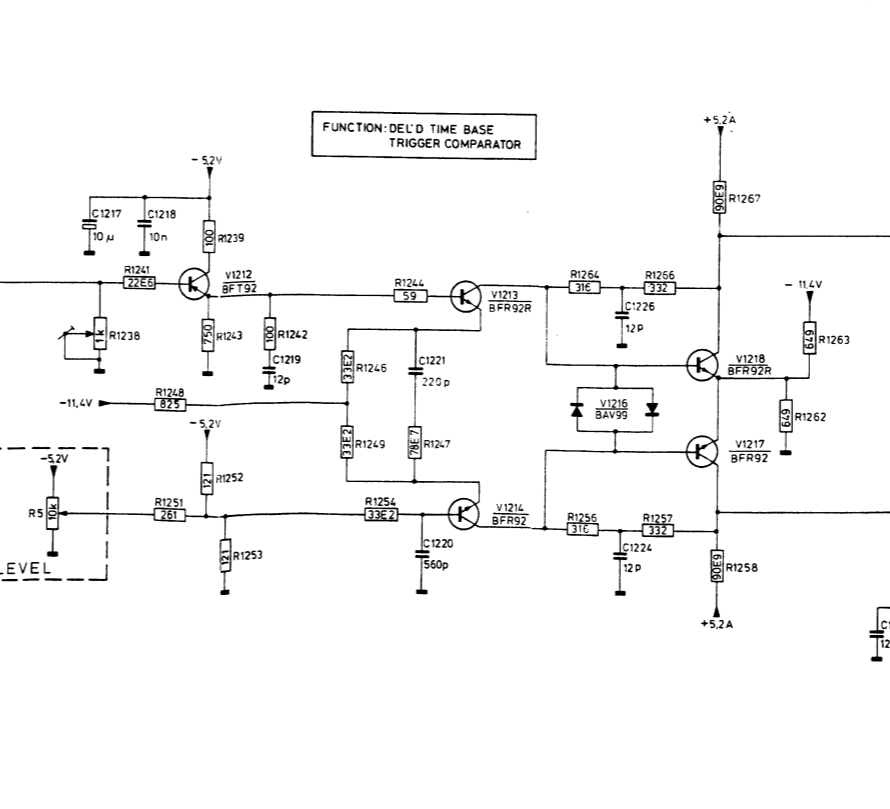
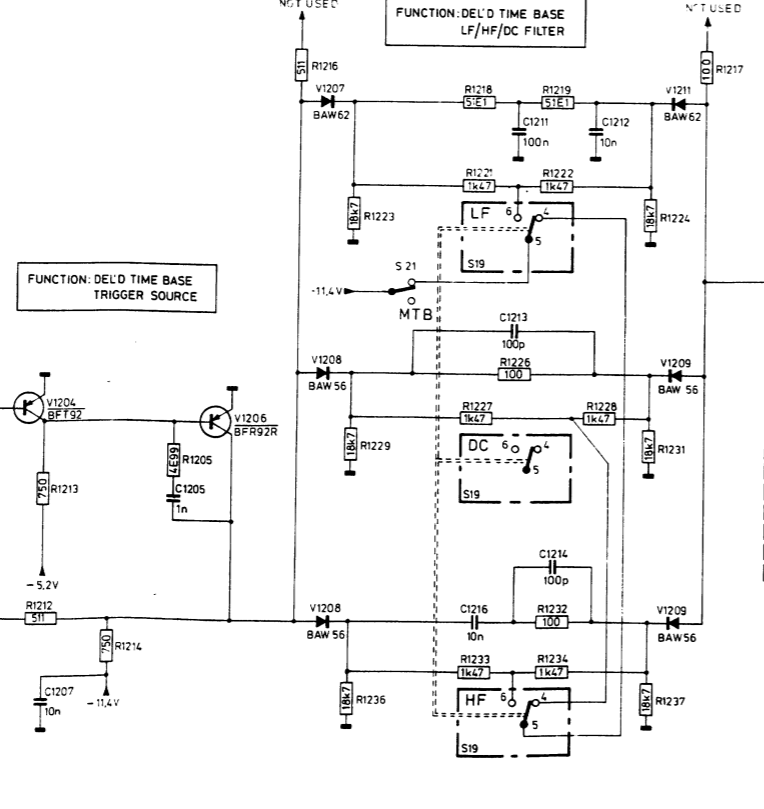
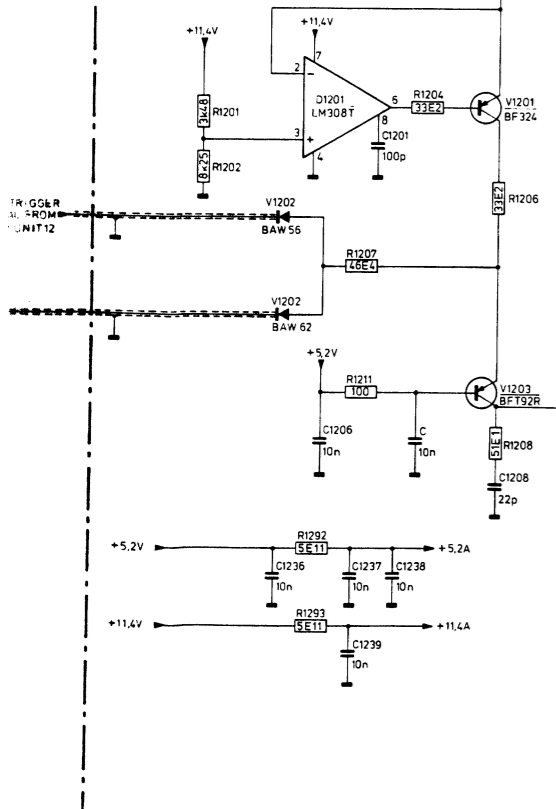
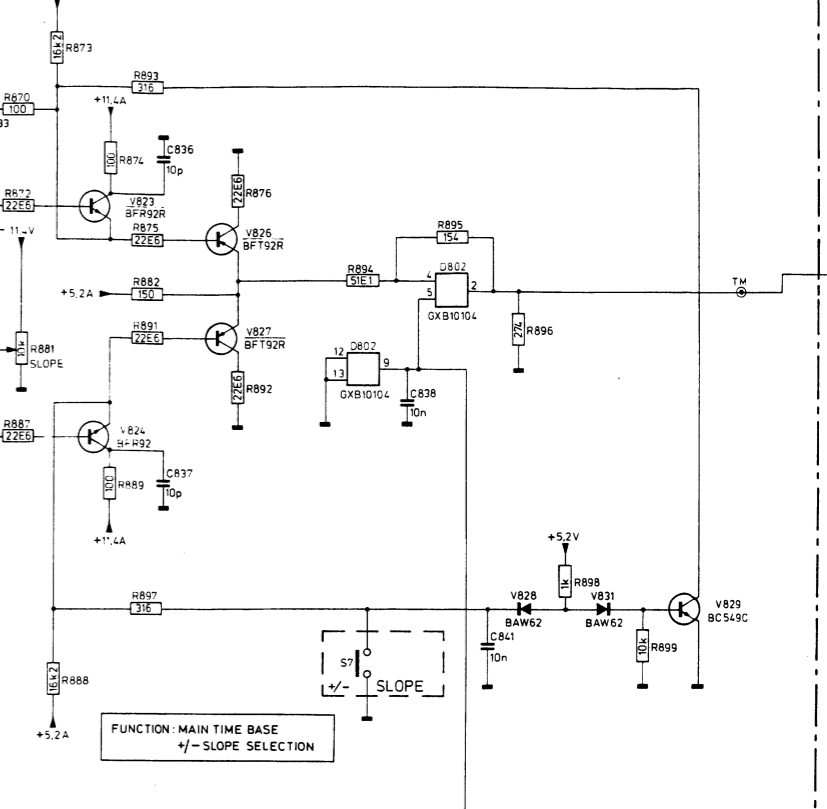
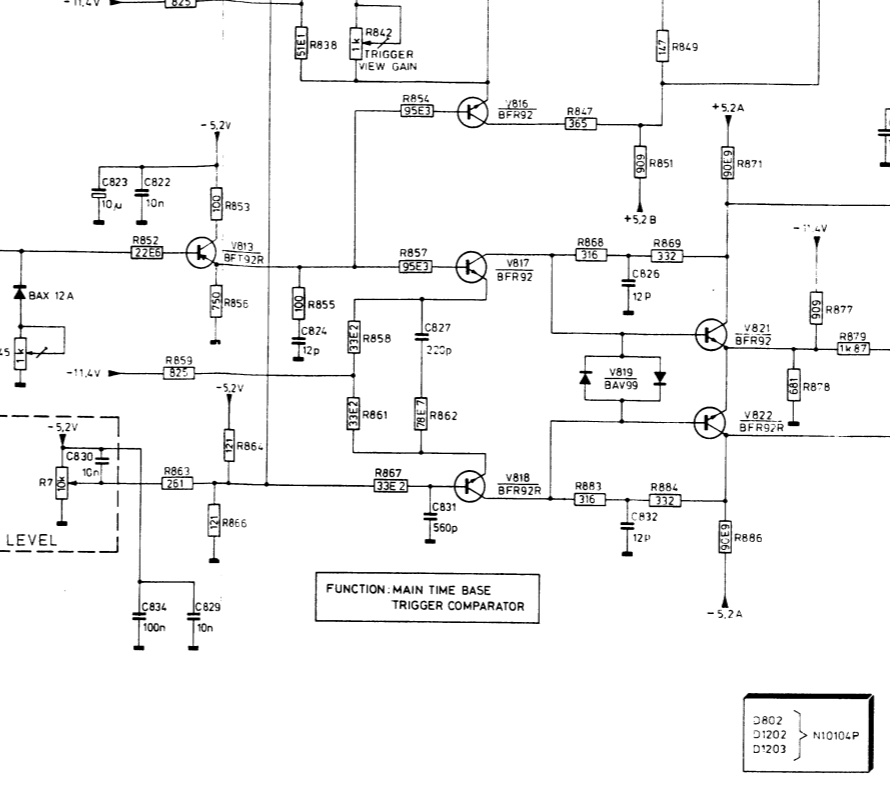
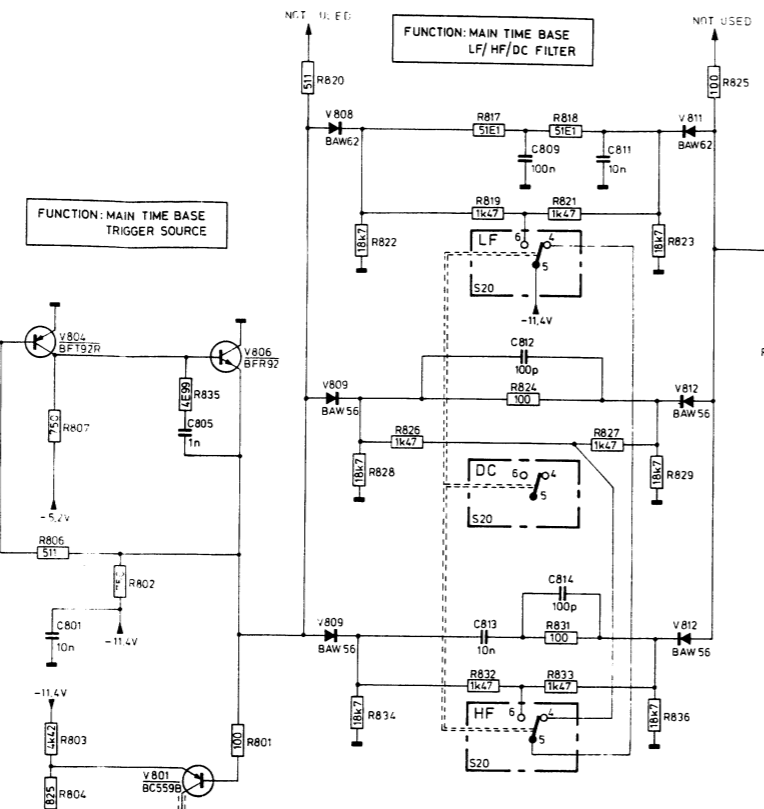
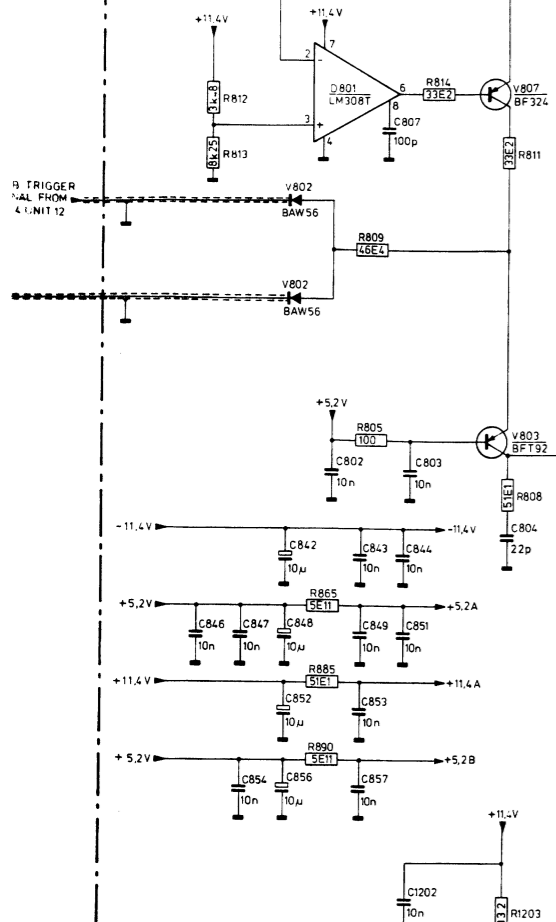
Fig. 12.17. Vertical channels, circuit diagram



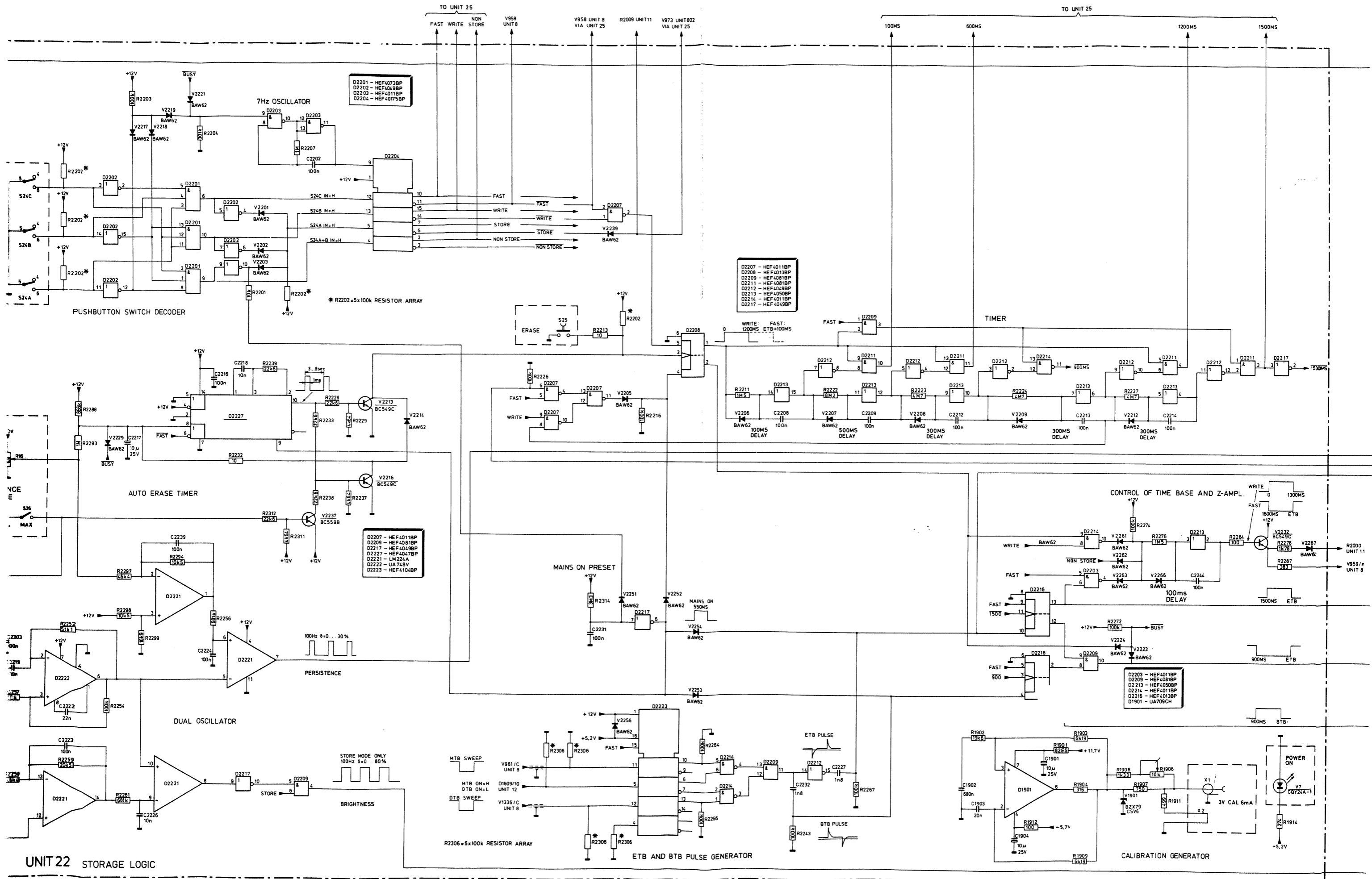
UNIT 16 MTB AND DTB EXTERNAL INPUT UNIT

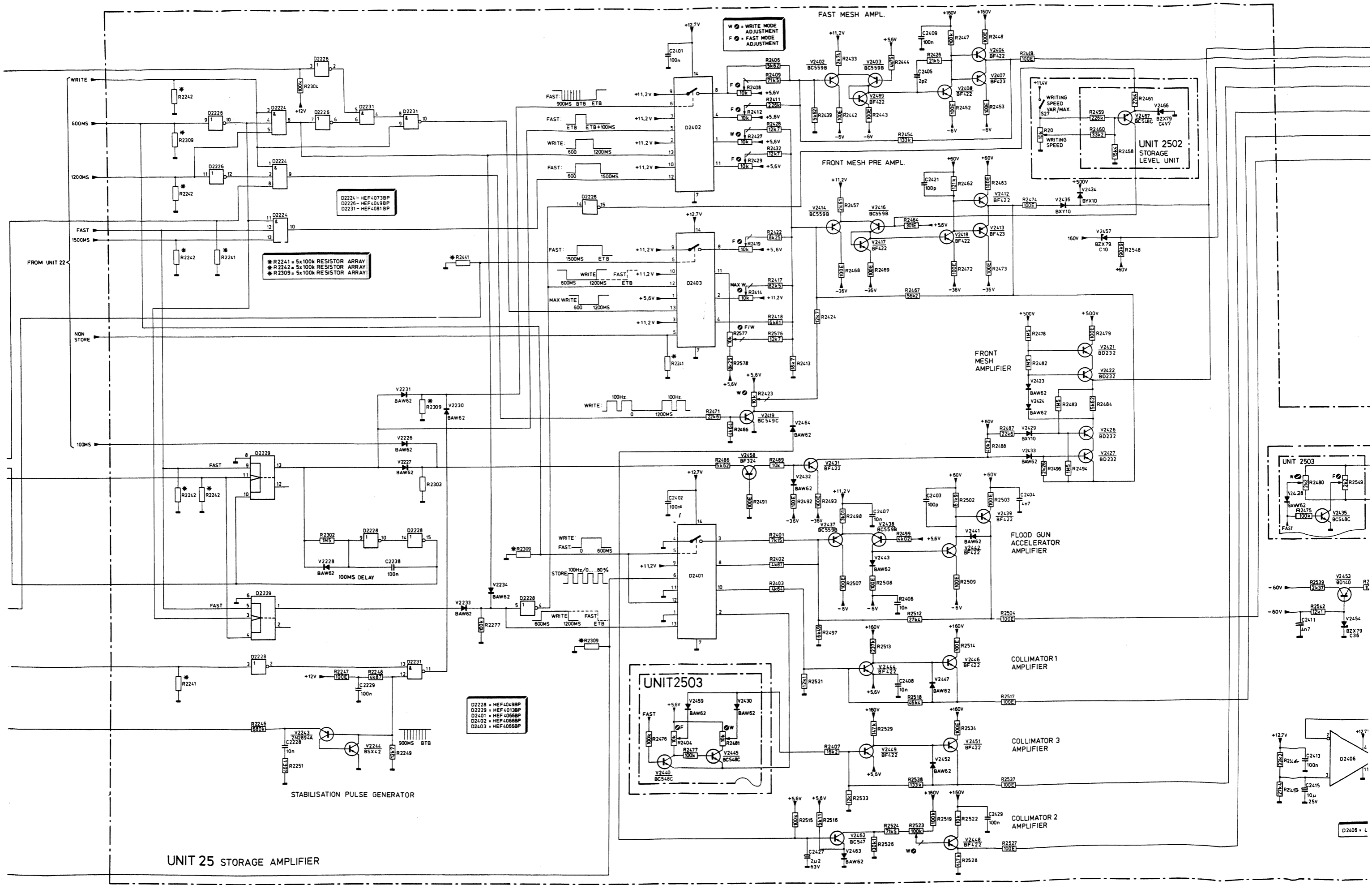
UNIT 9 MTB AND DTB TRIGGER UNIT

TRIGGER SIGNAL FROM UNIT 12



UNIT 9 MTB AND DTB TRIGGER UNIT





WRITE

600MS

1200MS

FAST
1500MS

NON STORE

100MS

FAST

UNIT 25 STORAGE AMPLIFIER

D2224 - HEF4073BP
 D2226 - HEF4049BP
 D2231 - HEF4081BP

*R2241 - 5x100k RESISTOR ARRAY
 *R2242 - 5x100k RESISTOR ARRAY
 *R2309 - 5x100k RESISTOR ARRAY

D2228 - HEF4049BP
 D2229 - HEF4013BP
 D2401 - HEF4068BP
 D2402 - HEF4068BP
 D2403 - HEF4068BP

W = WRITE MODE ADJUSTMENT
 F = FAST MODE ADJUSTMENT

D2406 = L

UNIT 2502 STORAGE LEVEL UNIT

UNIT 2503

FRONT MESH AMPL.

FRONT MESH PRE AMPL.

FLOOD GUN ACCELERATOR AMPLIFIER

COLLIMATOR 1 AMPLIFIER

COLLIMATOR 3 AMPLIFIER

COLLIMATOR 2 AMPLIFIER

UNIT 2503

STABILISATION PULSE GENERATOR

FAST: 900MS BTB ETB

FAST: ETB ETB+100MS

WRITE: 600 1200MS

FAST: 600 1500MS

FAST: 1500MS ETB

WRITE: 600MS 1200MS ETB

MAX WRITE: 600 1200MS

WRITE: 100Hz

WRITE: 100Hz

WRITE: 600MS

STORE: 100Hz/0...80%

WRITE: 600MS 1200MS ETB

FAST: +5.6V

FAST: +5.6V

FAST: +5.6V

FAST: +5.6V

FAST: +5.6V

FAST: +5.6V

FAST: +5.6V

FAST: +5.6V

FAST: +5.6V

FAST: +5.6V

FAST: +5.6V

FAST: +5.6V

FAST: +5.6V

FAST: +5.6V

FAST: +5.6V

FAST: +5.6V

FAST: +5.6V

FAST: +5.6V

FAST: +5.6V

FAST: +5.6V

FAST: +5.6V

FAST: +5.6V

FAST: +5.6V

FAST: +5.6V

FAST: +5.6V

FAST: +5.6V

FAST: +5.6V

FAST: +5.6V

FAST: +5.6V

FAST: +5.6V

FAST: +5.6V

FAST: +5.6V

FAST: +5.6V

FAST: +5.6V

FAST: +5.6V

FAST: +5.6V

FAST: +5.6V

FAST: +5.6V

FAST: +5.6V

FAST: +5.6V

FAST: +5.6V

FAST: +5.6V

FAST: +5.6V

FAST: +5.6V

FAST: +5.6V

FAST: +5.6V

FAST: +5.6V

FAST: +5.6V

FAST: +5.6V

FAST: +5.6V

FAST: +5.6V

FAST: +5.6V

FAST: +5.6V

FAST: +5.6V

FAST: +5.6V

FAST: +5.6V

FAST: +5.6V

FAST: +5.6V

FAST: +5.6V

FAST: +5.6V

FAST: +5.6V

FAST: +5.6V

FAST: +5.6V

FAST: +5.6V

FAST: +5.6V

FAST: +5.6V

FAST: +5.6V

FAST: +5.6V

FAST: +5.6V

FAST: +5.6V

FAST: +5.6V

FAST: +5.6V

FAST: +5.6V

FAST: +5.6V

FAST: +5.6V

FAST: +5.6V

FAST: +5.6V

FAST: +5.6V

FAST: +5.6V

FAST: +5.6V

FAST: +5.6V

FAST: +5.6V

FAST: +5.6V

FAST: +5.6V

FAST: +5.6V

FAST: +5.6V

FAST: +5.6V

FAST: +5.6V

FAST: +5.6V

FAST: +5.6V

FAST: +5.6V

FAST: +5.6V

FAST: +5.6V

FAST: +5.6V

FAST: +5.6V

FAST: +5.6V

FAST: +5.6V

FAST: +5.6V

FAST: +5.6V

FAST: +5.6V

FAST: +5.6V

FAST: +5.6V

FAST: +5.6V

FAST: +5.6V

FAST: +5.6V

FAST: +5.6V

FAST: +5.6V

FAST: +5.6V

FAST: +5.6V

FAST: +5.6V

FAST: +5.6V

FAST: +5.6V

FAST: +5.6V

FAST: +5.6V

FAST: +5.6V

FAST: +5.6V

FAST: +5.6V

FAST: +5.6V

FAST: +5.6V

FAST: +5.6V

FAST: +5.6V

FAST: +5.6V

FAST: +5.6V

FAST: +5.6V

FAST: +5.6V

FAST: +5.6V

FAST: +5.6V

FAST: +5.6V

FAST: +5.6V

FAST: +5.6V

FAST: +5.6V

FAST: +5.6V

FAST: +5.6V

FAST: +5.6V

FAST: +5.6V

FAST: +5.6V

FAST: +5.6V

FAST: +5.6V

FAST: +5.6V

FAST: +5.6V

FAST: +5.6V

FAST: +5.6V

FAST: +5.6V

FAST: +5.6V

FAST: +5.6V

FAST: +5.6V

FAST: +5.6V

FAST: +5.6V

FAST: +5.6V

FAST: +5.6V

FAST: +5.6V

FAST: +5.6V

FAST: +5.6V

FAST: +5.6V

FAST: +5.6V

FAST: +5.6V

FAST: +5.6V

FAST: +5.6V

FAST: +5.6V

FAST: +5.6V

FAST: +5.6V

FAST: +5.6V

FAST: +5.6V

FAST: +5.6V

FAST: +5.6V

FAST: +5.6V

FAST: +5.6V

FAST: +5.6V

FAST: +5.6V

FAST: +5.6V

FAST: +5.6V

FAST: +5.6V

FAST: +5.6V

FAST: +5.6V

FAST: +5.6V

FAST: +5.6V

FAST: +5.6V

FAST: +5.6V

FAST: +5.6V

FAST: +5.6V

FAST: +5.6V

FAST: +5.6V

FAST: +5.6V

FAST: +5.6V

FAST: +5.6V

FAST: +5.6V

FAST: +5.6V

FAST: +5.6V

FAST: +5.6V

FAST: +5.6V

FAST: +5.6V

FAST: +5.6V

FAST: +5.6V

FAST: +5.6V

FAST: +5.6V

FAST: +5.6V

FAST: +5.6V

FAST: +5.6V

FAST: +5.6V

FAST: +5.6V

FAST: +5.6V

FAST: +5.6V

FAST: +5.6V

FAST: +5.6V

FAST: +5.6V

FAST: +5.6V

FAST: +5.6V

FAST: +5.6V

FAST: +5.6V

FAST: +5.6V

FAST: +5.6V

FAST: +5.6V

FAST: +5.6V

FAST: +5.6V

FAST: +5.6V

FAST: +5.6V

FAST: +5.6V

FAST: +5.6V

FAST: +5.6V

FAST: +5.6V

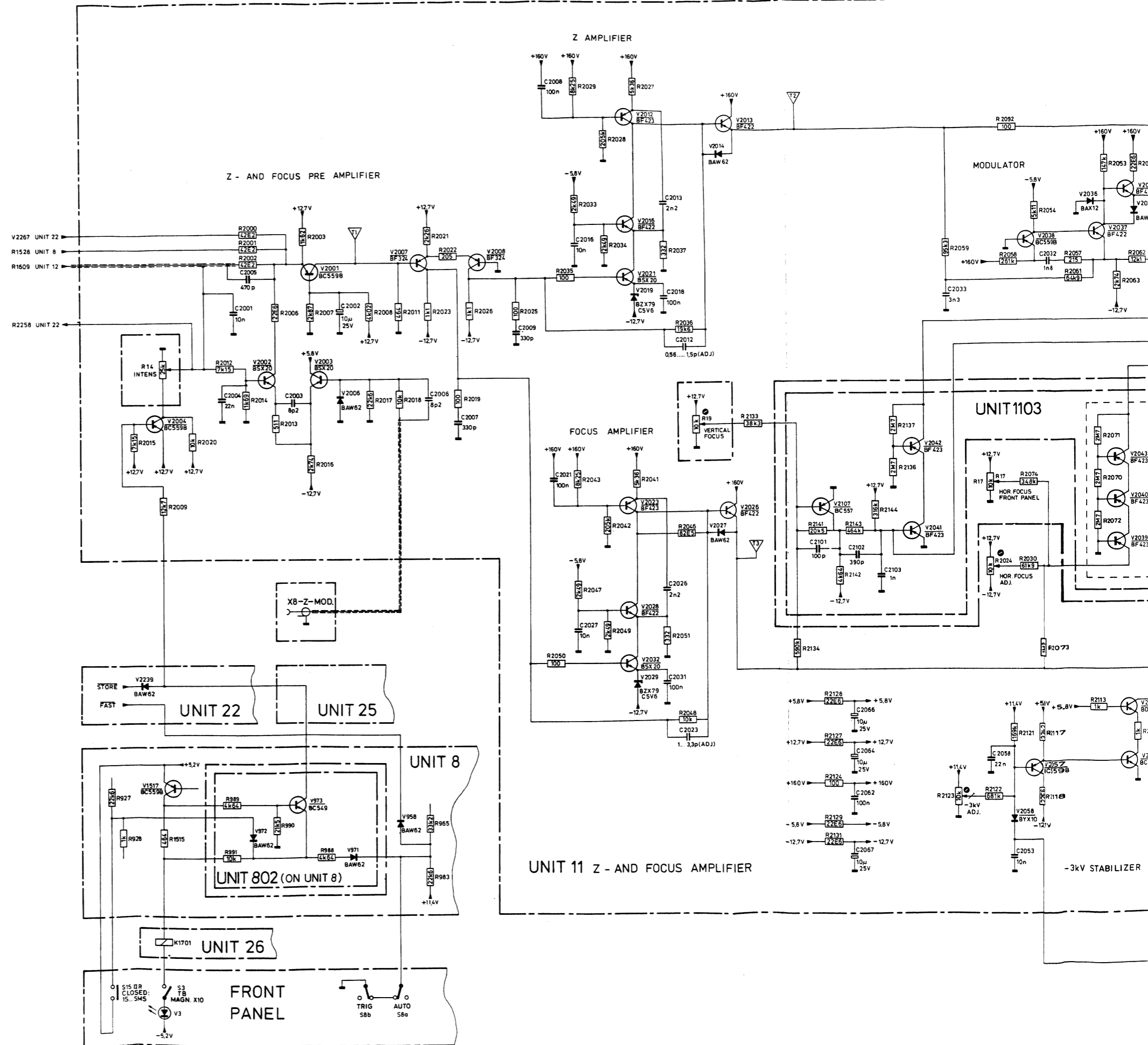
FAST: +5.6V

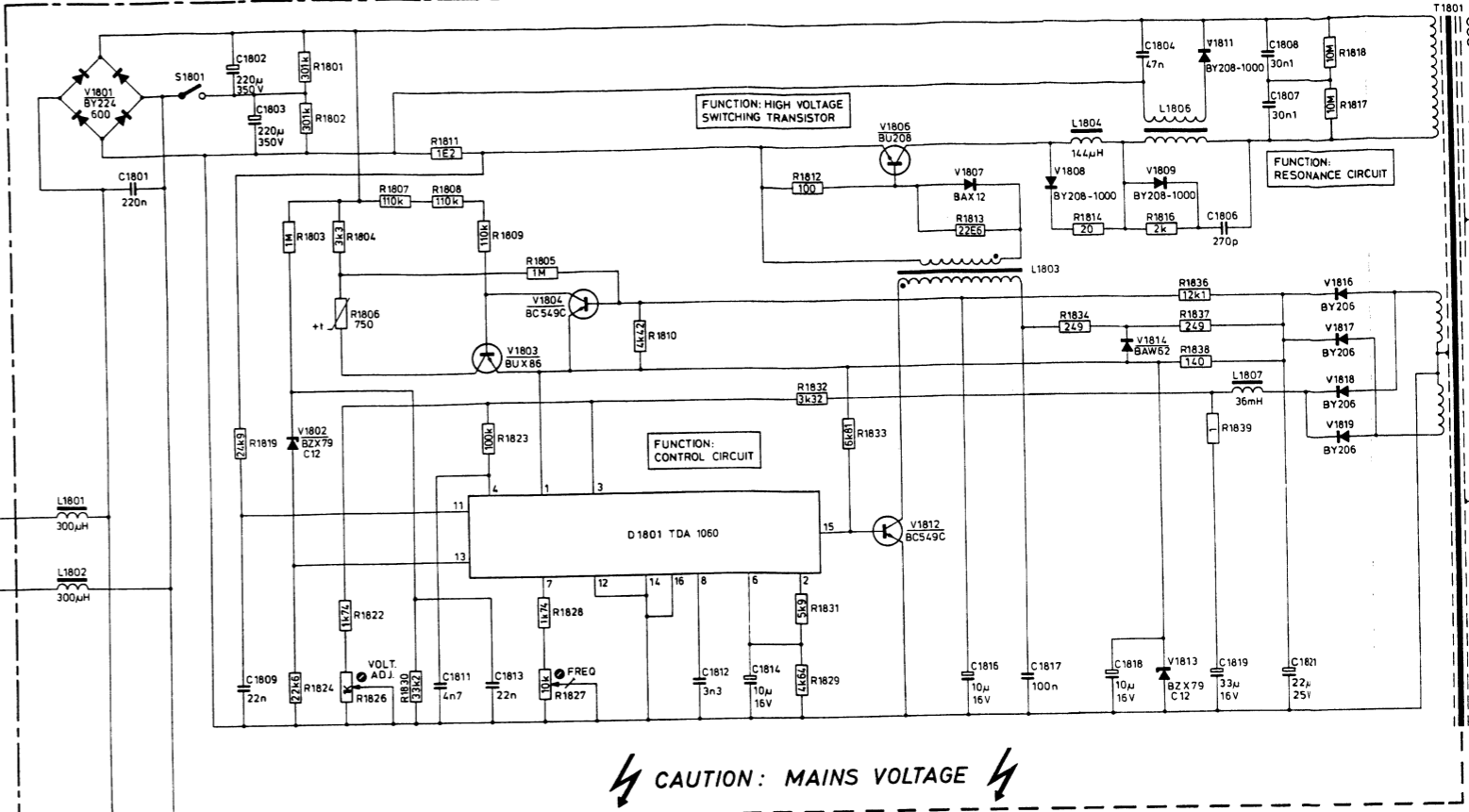
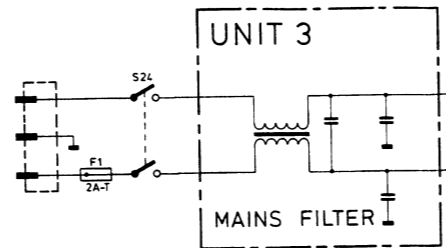
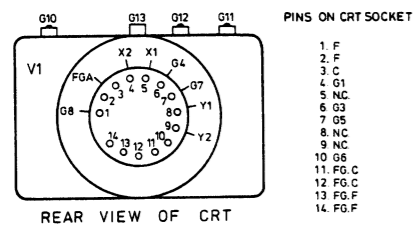
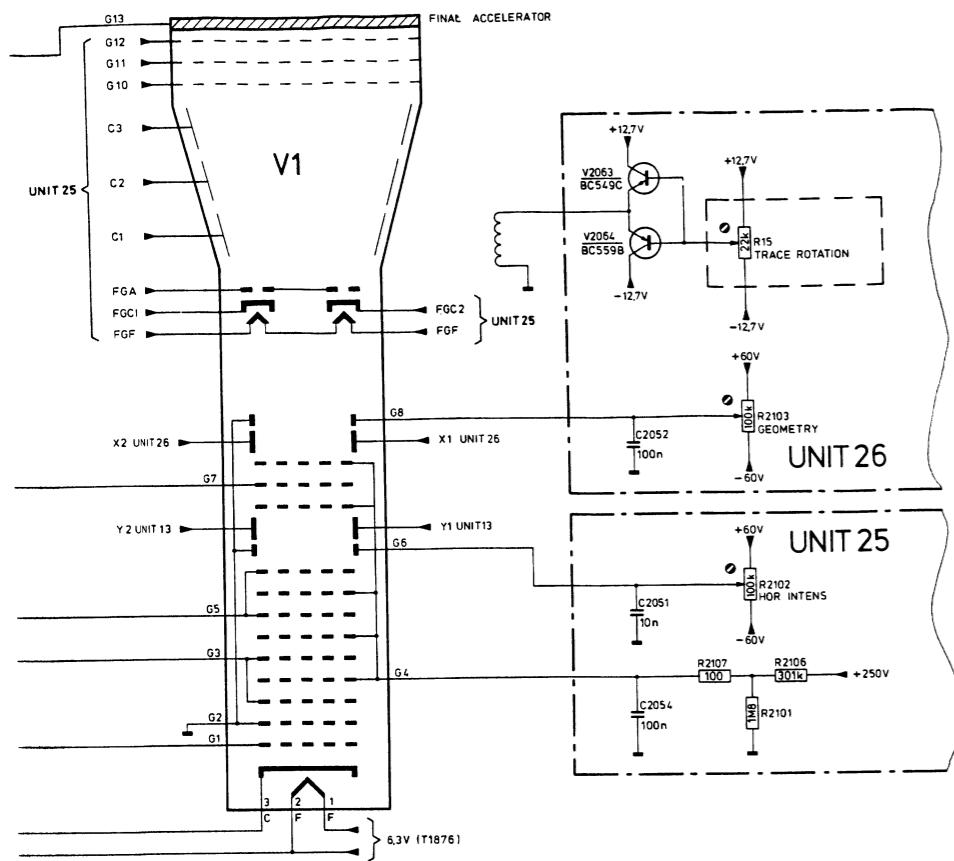
FAST: +5.6V

FAST: +5.6V

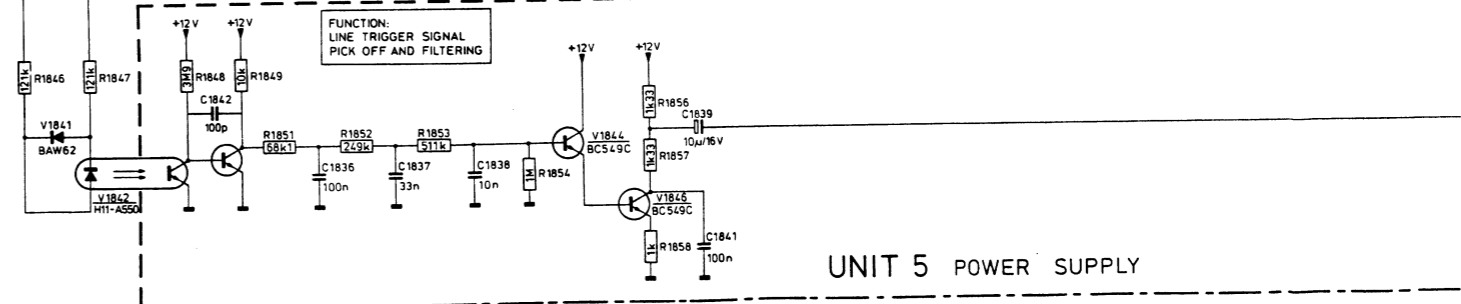
FAST: +5.6V

FAST: +5.6V</

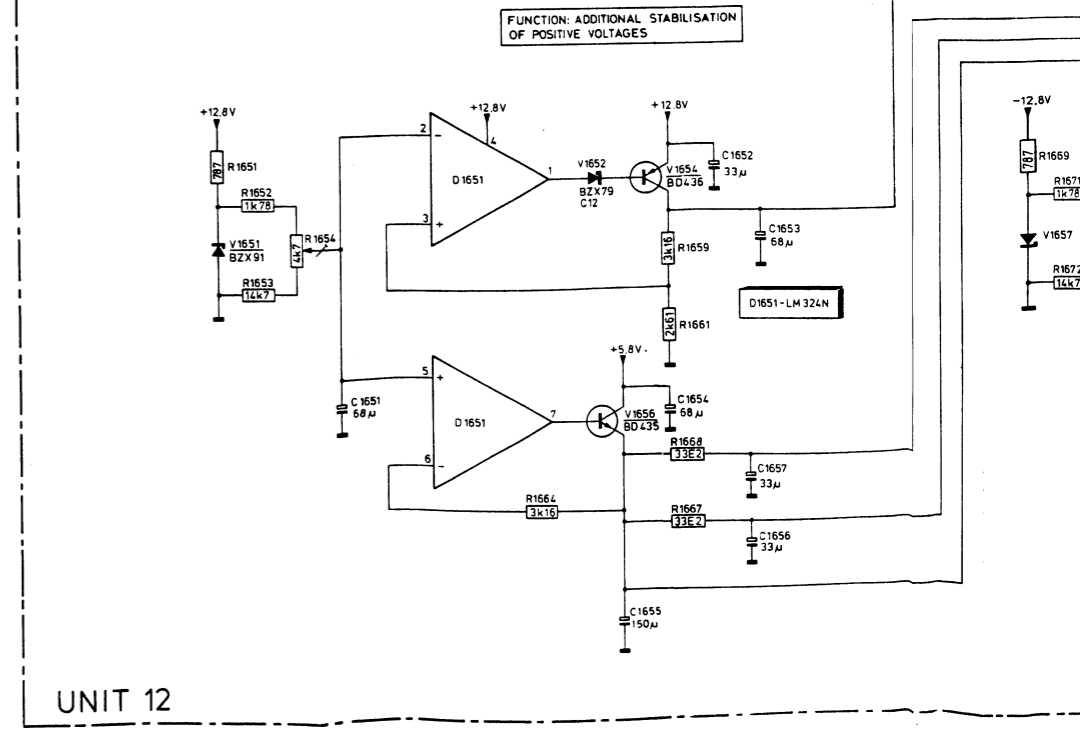
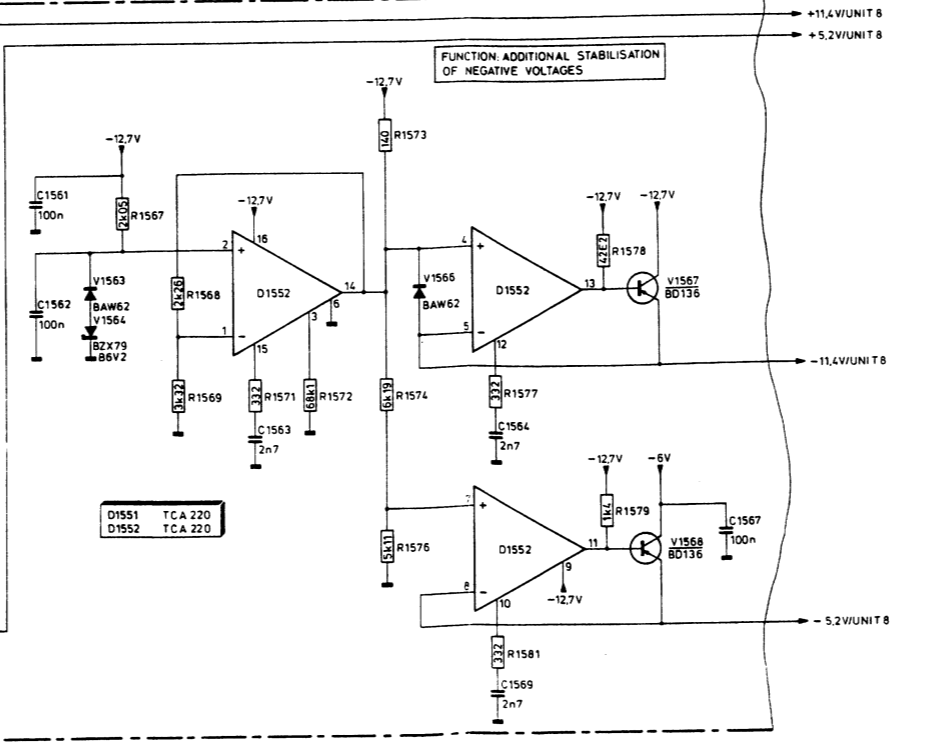
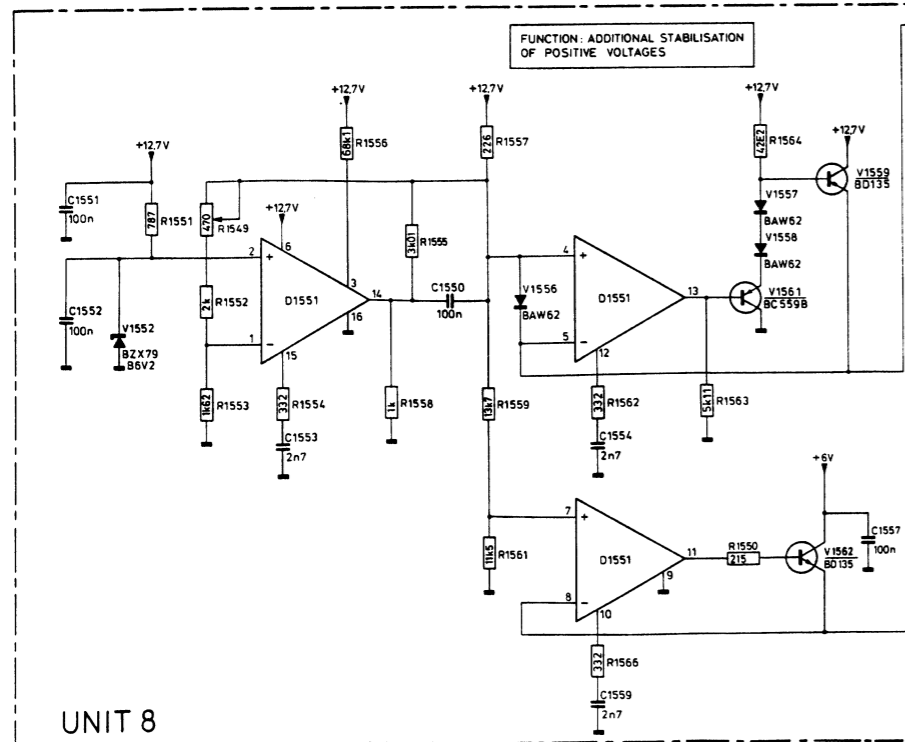




⚡ CAUTION: MAINS VOLTAGE ⚡



UNIT 5 POWER SUPPLY



UNIT 8

UNIT 12

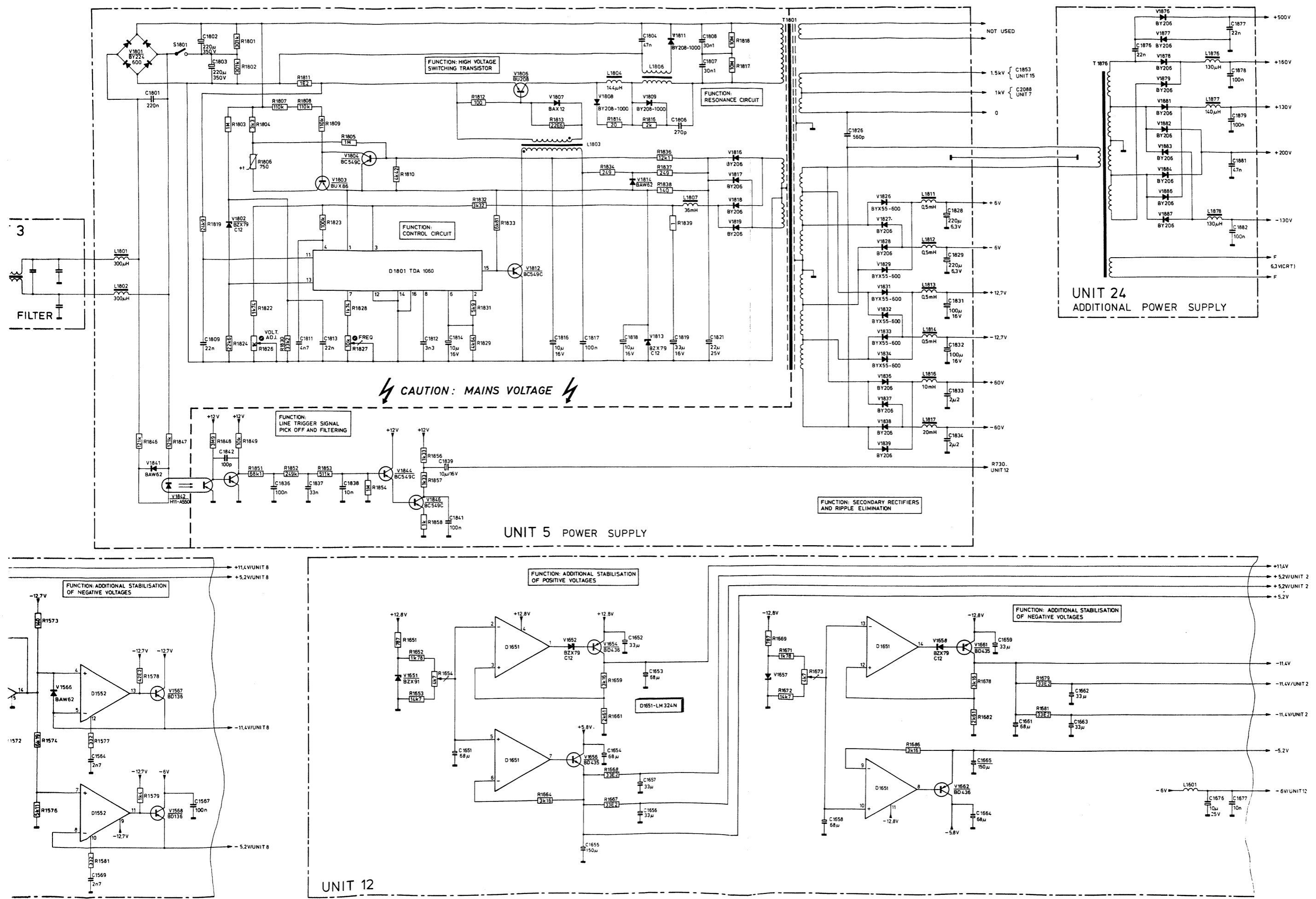


Fig. 12.20. Z-amplifier, focus and power supply, circuit diagram